

THIS MANUAL ALSO COVERS  
THE 747 RECEIVER

# SERVICE MANUAL

PRICE \$2.00

**601**

SERIAL NUMBERS  
BEGINNING 10001

# The Fisher® 601



## Four-Channel Stereophonic AM-FM Receiver

*WORLD LEADER IN HIGH QUALITY STEREO*

REQUIRED TEST EQUIPMENT	3	MULTIPLEX	10
MECHANICAL DISASSEMBLY	3	TUNER ALIGNMENT	12
DIAL STRINGING	3	PREAMP, AUDIO INPUT	14
HARMONIC DISTORTION TEST	3	CONTROL AMP, VOLUME	16
CHASSIS LAYOUT (601)	4	DECODER	18
SIGNAL FLOW (601)	5	POWER AMP, PREDRIVER	20
CHASSIS LAYOUT (747)	6	POWER SUPPLY	22
SIGNAL FLOW (747)	7	PARTS LIST	24
TUNER	8		

---

**CAUTION:** This precision high-fidelity instrument should be serviced only by qualified personnel, trained in the repair of transistor equipment and printed circuitry.

---

Many of these items are included only as a reminder — they are normal procedures for experienced technicians. Shortcuts may be taken, but these often cause additional damage to transistors, circuit components, or printed circuit boards.

**SOLDERING:** A well-tinned, hot, clean soldering iron tip will make soldering easier, without causing damage to the printed circuit board or the components mounted on it. Regular use of a sponge cleaner will maintain a clean soldering surface. The heat available at the tip, (not the wattage of the iron) is important. Some 50-watt irons reach temperatures of 1,000° F, while others will hardly melt solder. Small-diameter tips should be used for single solder connections, pyramid and chisel tips for large areas.

Always disconnect the AC power cord from the line when soldering. Turning the power switch OFF is not sufficient. Power-line leakage paths through the heating element of the iron may destroy transistors.

**PARTS REMOVAL:** If a part is not being returned for in-warranty factory replacement, it may be cut in half (with diagonal cutting pliers) to make removal easier. Multiple terminal parts, such as IF transformers or electrolytic capacitors, should be removed using special de-soldering tips made especially for this purpose. Removing solder from terminals reduces the possibility of breaking the printed circuit board when the part is removed.

**ACCIDENTAL SHORTS:** A clean working area, free of metal particles, screws, etc., is an important preventive in avoiding servicing problems. Screws removed from the chassis during servicing should be stored in a box until needed. While a set is operating, it takes only an instant for a base-to-collector short to destroy a transistor (and others direct-coupled to it). In the time it takes for a dropped screw, washer, or screwdriver to contact a pair of terminals (or terminal and chassis), a transistor can be ruined.

**SOLID-STATE DEVICES:** Integrated Circuits contain the equivalent of many circuit parts, including transistors, diodes, resistors, and capacitors. The preferred troubleshooting procedure requires isolating the trouble to one stage using AC signal tracing methods. Once the suspected stage is located, the DC voltages at the input and output leads are measured to give an accurate indication of the operating conditions of the IC. DO NOT use an ohmmeter to check continuity with the IC mounted on the printed circuit board. Forward biasing the internal junctions within the IC may burn out the transistors. Do not replace a defective IC until all external resistors, capacitors, and transformers are checked first, to prevent the replacement IC from failing immediately due to a defect in the connecting components. Solder and unsolder each lead separately using a pliers or other heat sink on the lead to prevent damage from excessive heat. Check that the leads are

connected to the correct locations on the printed circuit board before turning the set on.

Whenever possible, a transistor tester should be used to determine the condition of a transistor or diode. Ohmmeter checks do not provide conclusive data, and many even destroy the junction(s) within the device.

Never attempt to repair a transistor power amplifier module until the power supply filter-capacitors are fully discharged.

If an output or driver transistor becomes defective (opens or shorts) always check ALL direct-coupled transistors and diodes in that channel. In addition, check the bias pot and other parts in the bias network before installing replacement transistors. All output and driver transistors in one channel may be destroyed if the bias network is defective. After parts replacement, check bias for specified idling current.

In some applications, replacement of transistors must be made from the same beta group as the original type. The beta group is indicated by a colored marking on the transistor. Include this information when ordering replacements.

When mounting a replacement power transistor, be sure the bottom of the flange, mica insulator, and the surface of the heat sink, are free of foreign matter. Dust and grit will prevent flat contact, reducing heat transfer to the heat sink. Metallic particles can puncture the insulator, cause a short, and destroy the transistor.

Silicone grease must be used between the transistor and the mica insulator and between the mica and the heat sink for best heat transfer. Use Dow-Corning DC-3 or an equivalent compound made for power transistor heat conduction.

Use care when making connections to speakers and output terminals. To reduce the possibility of shorts, lugs should be used on the exposed ends, or stranded wire should be tinned to prevent frayed wire ends. Current in the speakers and output circuitry is quite high — poor contacts, or small wire, can cause significant power losses. For wire lengths greater than 30 feet, 16 AWG, or heavier, should be used.

**VOLTAGE MEASUREMENTS:** All voltages are measured with the line voltage adjusted to 120 volts. All measured voltages are  $\pm 20\%$ . DC voltages are measured to chassis with a VTVM, with no signal input unless otherwise noted. AC signal voltages are measured under the conditions specified on the schematic.

**ALIGNMENT PROCEDURES:** DO NOT attempt realignment unless the required test equipment is available, and the alignment procedure is thoroughly understood.

The following equipment is required to completely test and align the AM-FM Receiver:

- Line Voltage Autotransformer or Voltage Regulator
- DC Vacuum Tube Voltohmmeter
- Accurately Calibrated AC Vacuum Tube Voltmeter
- Oscilloscope (Flat to 100 kHz Minimum)
- Low-Distortion Audio (Sine Wave) Generator
- Harmonic Distortion Analyzer
- 2 —Load Resistors, 8-Ohms, 100 Watt (Minimum Rating)
- AM-FM Signal Generator
- 10.7 MHz Sweep Generator (Fisher 3024\*)
- Multiplex Generator with RF output (Fisher 1536\*)
- 455 kHz Sweep Generator (Fisher 3025\*)
- Stereo Source — Turntable, Tape Recorder, etc.
- Soldering Iron with Small Tip, Fully Insulated from AC Line
- Suction Desoldering Tool

\* with Power Supply (Fisher 1561)

## REMOVING DRESS PANEL

- (1) Remove screws securing top cover to chassis. Remove cover.
- (2) Gently pull TAPE MONITOR, SELECTOR, MODE, BASS, TREBLE, BALANCE, SPEAKERS, TUNING, and VOLUME knobs from their control shafts. Remove hex nuts from shafts.
- (3) Unscrew hexagonal spacers (2) at top left and top right of dial bracket. Remove dress panel.
- (4) Reverse procedure for re-assembly.

## REPLACING DIAL GLASS

- (1) Remove dress panel.
- (2) Remove left and right dial glass retainers and remove dial glass.
- (3) Install a new dial glass by reversing procedure.

## REPLACING DIAL LAMPS

- (1) Remove the screws securing top cover to chassis. Remove cover.
- (2) Remove lamp assembly leads from pins 50 and 51. Note the position of wires taped against the metal bracket.
- (3) Snap out defective lamp assembly from the rear of bracket. Insert a new lamp assembly and connect leads to pins 50 and 51. Tape wires against metal bracket as noted in step (2).

## REPLACING DIAL POINTER LAMP

- (1) Remove the screws securing top cover to chassis. Remove cover.
- (2) Remove lamp assembly leads from pins 51 and 53.
- (3) Bend metal flap back and remove wire support from the metal bracket behind dial glass.
- (4) Remove dial cord from tab on dial pointer. Carefully disengage pointer assembly and pull free of dial bracket.
- (5) Remove the wire that retains sleeving in lamp housing. Snap out lamp assembly from housing and remove.
- (6) Re-assemble new lamp assembly in reverse order.
- (7) Check pointer adjustment. Refer to DIAL STRINGING.

## REPLACING STEREOBEACON AND METER LAMPS

NOTE: The lampholder assembly at the rear of the meter contains both the STEREOBEACON and meter lamps, and must be replaced as a unit.

- (1) Remove the screws securing top cover to chassis. Remove cover.
- (2) Remove lampholder assembly leads from pins 56, 16, DD, and 5V on tuner board. Label wires for reference.
- (3) Gently lift retaining spring that holds lampholder assembly at rear of meter and remove assembly.
- (4) Insert new lampholder assembly under the retaining spring and re-connect wires.

## REPLACING METER

- (1) Remove the screws securing top cover. Remove cover.
- (2) Remove lampholder assembly from rear of meter.
- (3) Remove meter leads from pins 26 and 28 on tuner board. Label wires for reference.
- (4) Gently pry meter from the back of dial panel and scrape residual adhesive from panel. Transfer meter leads to new meter.
- (5) Peel backing from one side of replacement adhesive mounting pad and affix it to replacement meter. Peel backing from other side of pad, align meter face over panel cutout, and press meter firmly to back of panel.
- (6) Re-connect meter leads to tuner board.
- (7) Replace lampholder assembly.
- (8) Check meter calibration. Refer to TUNER ALIGNMENT. Replace cover.

## REMOVING PC BOARDS

To remove most boards, disconnect leads and remove screws securing board to its nylon mounts. Label all wires for reference. Some boards have guide pins or front panel controls and require additional removal procedures as follows:

### TUNER BOARD

- (1) Disconnect wiring and label for reference.
- (2) Remove multiplex board.
- (3) Remove dial cord.
- (4) Remove screws securing tuner board to its nylon mounts and lift board straight up.
- (5) Reverse procedure to replace.
- (6) Restraining dial cord. Refer to DIAL STRINGING procedure.

### CONTROL AMPLIFIER BOARD

- (1) Remove dress panel and bottom cover.
- (2) Remove hex nuts on shafts of TAPE MONITOR, SELECTOR, and SPEAKERS switches. Remove extender shaft couplings, and pull extender shafts out towards the rear.
- (3) Disconnect leads from 2+2 CH decoder board and label for reference.
- (4) Remove screws securing decoder bracket to chassis and move decoder back.
- (5) Label and disconnect leads from PHONES jack to power supply board.
- (6) Carefully remove (pull up) red slide-restrainer on 12-pin printed circuit board connector to audio input board. Slide connector to the side that disconnects pins on control amplifier board.
- (7) Remove hex nuts securing BASS and MODE switch shafts to chassis front panel.
- (8) Remove screws securing control amplifier board to its nylon mounts. Lift up rear of board to clear switch shafts and remove board.
- (9) Replace in reverse order.

## AUDIO INPUT BOARD

- (1) Remove dress panel. Remove the screws that secure bottom cover to chassis. Remove cover.
- (2) Remove hex nuts that secure the extender shafts of TAPE MONITOR and SELECTOR switches to chassis front panel. Remove extender shaft couplings.
- (3) Carefully remove (pull up) red slide-restrainers on 6-pin and 12-pin printed circuit board connectors. Slide connectors to the side that disconnects pins to the audio input board.
- (4) Remove three screws holding input/output jack connector board on the rear panel.
- (5) Remove screws securing the audio input board to its nylon mounts. Remove the board with input/output jacks from chassis.
- (6) Replace in reverse order.

## POWER SUPPLY BOARD

- (1) Remove dress panel. Remove screws securing bottom cover to chassis and remove cover.
- (2) Remove hex nut securing extender shaft of SPEAKERS switch to chassis front panel. Remove extender shaft coupling.
- (3) Disconnect leads from pins on power supply board and leads from board to SPEAKERS terminals on rear panel. Label all wires for reference.
- (4) Carefully remove (pull up) red slide restrainer on 6-pin printed circuit board connector. Slide connector to the side that disconnects pins on power supply board.
- (5) Remove four screws securing rear panel to chassis. Bend back rear panel.
- (6) Remove eleven screws securing power supply board to chassis mounts and remove board.
- (7) Replace in reverse order.

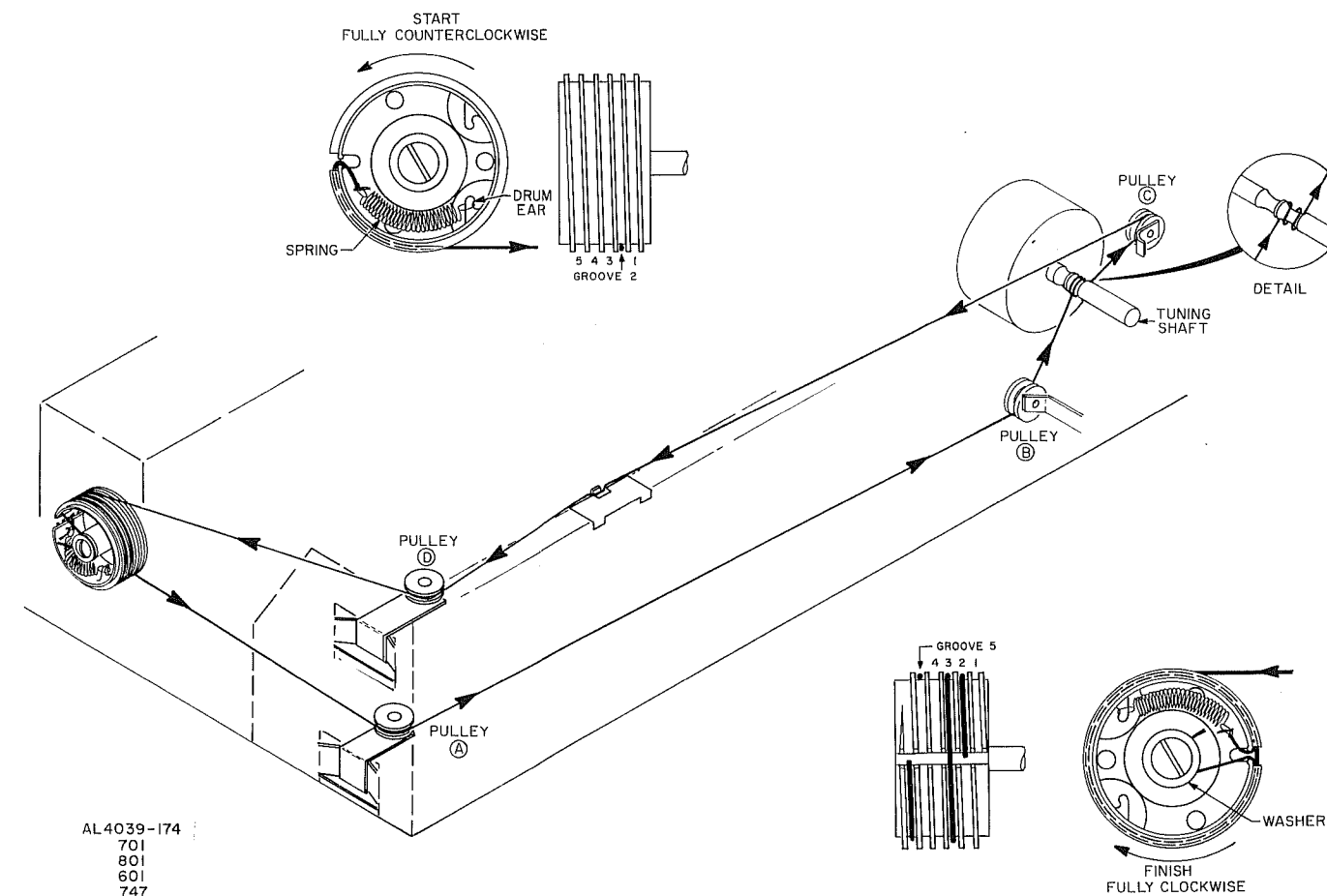
- (1) Remove the screws securing top cover to chassis. Remove cover.
- (2) Rotate tuning capacitor fully CCW. Loosen screw in center of drum and remove old dial cord.
- (3) Tie end of new cord to end of dial spring. Fasten spring to bottom right ear inside drum. See illustration.
- (4) Run cord through rim slot into underside of groove 2. Guide cord around pulley "A", under pulley "B", and wrap two turns CCW around tuning shaft. See detail.
- (5) Guide cord under and around pulley "C", and around pulley "D". Keep cord taut.
- (6) Rotate drum fully CW, allowing cord to wind onto drum.
- (7) Guide cord over drum into groove 5, through rim slot, and under washer. See illustration.
- (8) Pull cord taut, and tighten screw.
- (9) Rotate drum CCW and CW to distribute tensioning.
- (10) Repeat (8) and (9) until spring is tensioned.
- (11) Place cord over tab on pointer. Rotate tuning shaft CCW. Slide pointer to 0 while holding tuning shaft fully CCW.
- (12) Check dial calibration. Refer to TUNER ALIGNMENT.

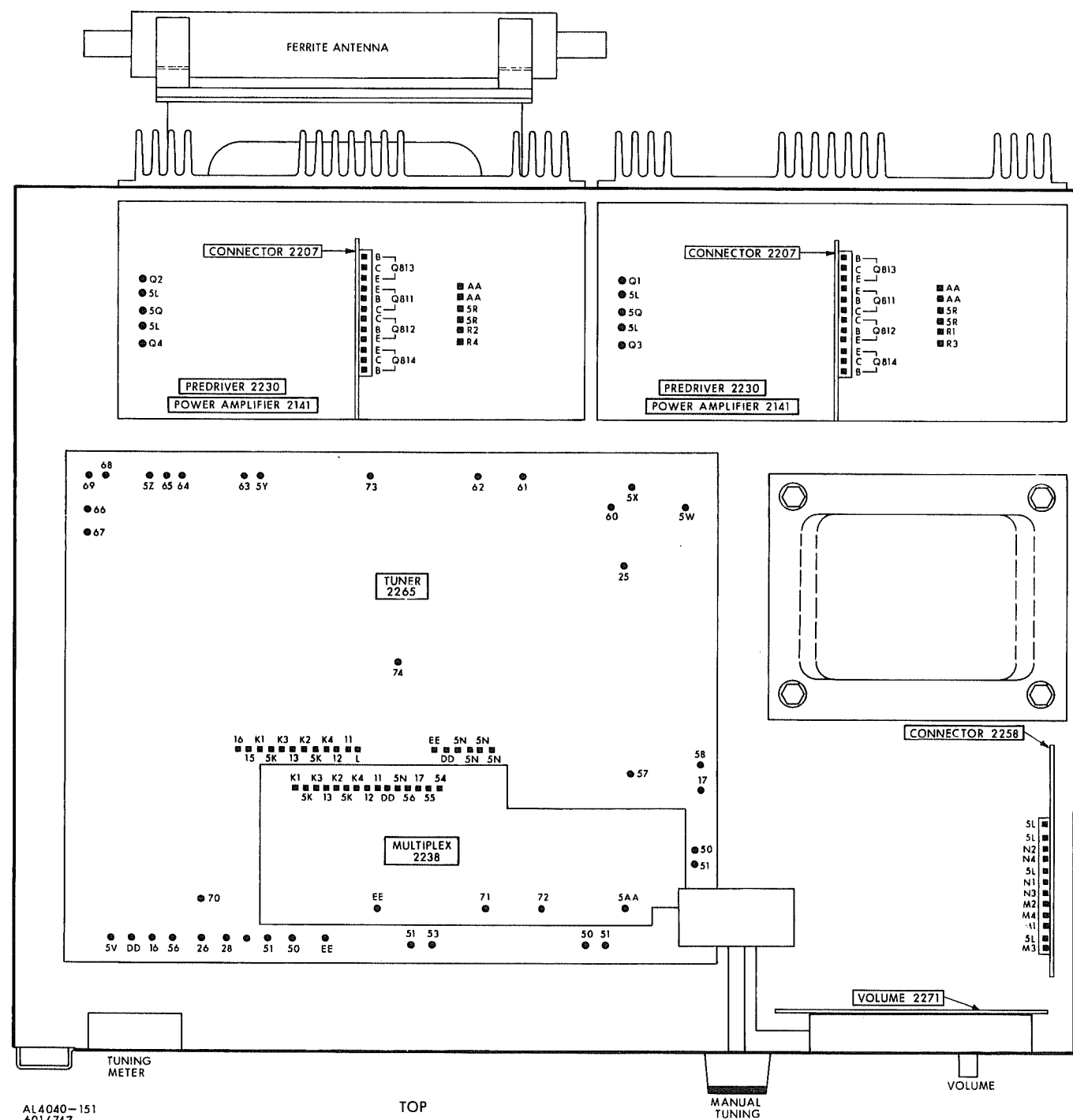
## CAUTION:

- (A) Test one channel at a time.
- (B) Limit tests to 10 minutes.
- (C) Use a load with a minimum power rating of 100 watts.

Unplug AC power cord. Release all pushbuttons. Slide FRONT and REAR VOLUME controls to 0. Set BASS, TREBLE, and BALANCE to their center positions. Set TAPE MONITOR to OFF, SELECTOR to AUX 1, MODE to 4-CH STEREO, and SPEAKERS to MAIN.

- (1) Connect a low-distortion sine-wave generator to the AUX 1 IN FRONT L jack. Set generator frequency to 1kHz, and output level to minimum.
- (2) Connect an 8-ohm load resistor between MAIN SPEAKERS FRONT L and COMMON terminals. Connect a harmonic distortion analyzer and an AC VTVM across the load.
- (3) Connect AC power cord and slide FRONT VOLUME to maximum.
- (4) Increase generator output for 40 watts RMS (17.9V across 8-ohm load). HD meter should indicate 1% or less.
- (5) Repeat preceding steps for FRONT R, REAR L and REAR R channels.



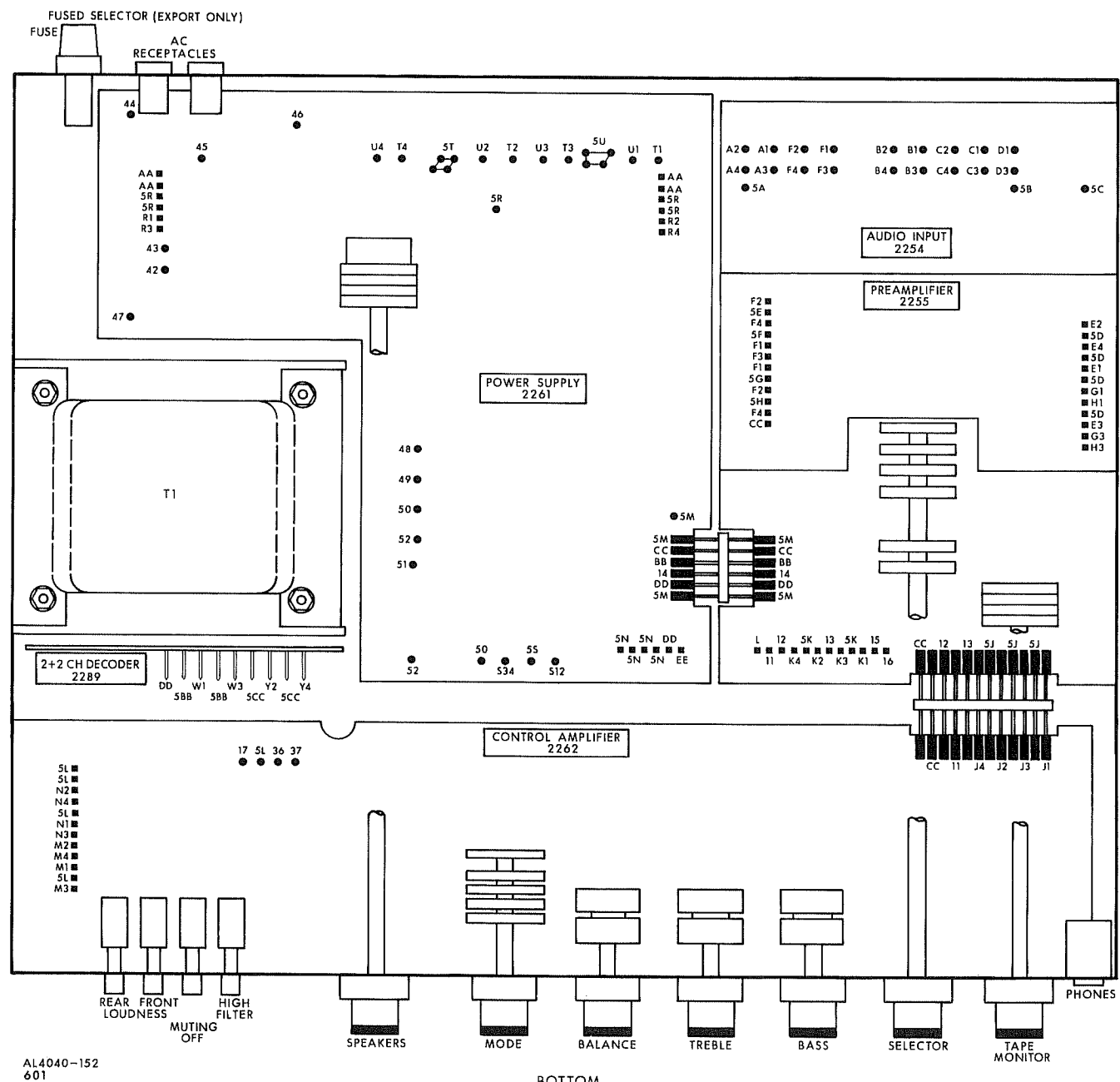


AL4040-151  
6017/747

TOP

MANUAL TUNING

VOLUME



AL4040-152  
601

BOTTOM

REAR LOUDNESS  
FRONT LOUDNESS  
MUTING OFF  
HIGH FILTER

SPEAKERS

MODE

BALANCE

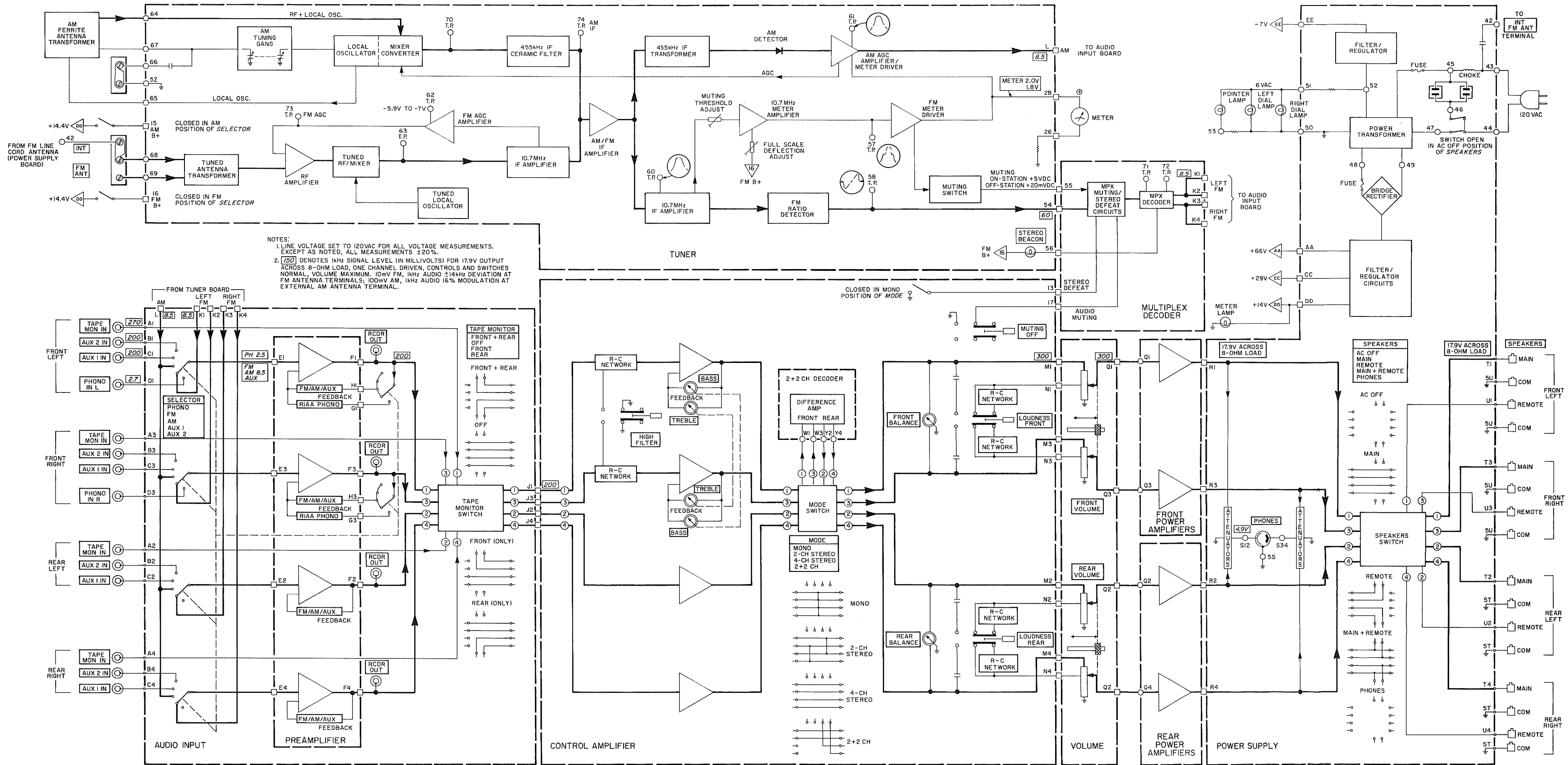
TREBLE

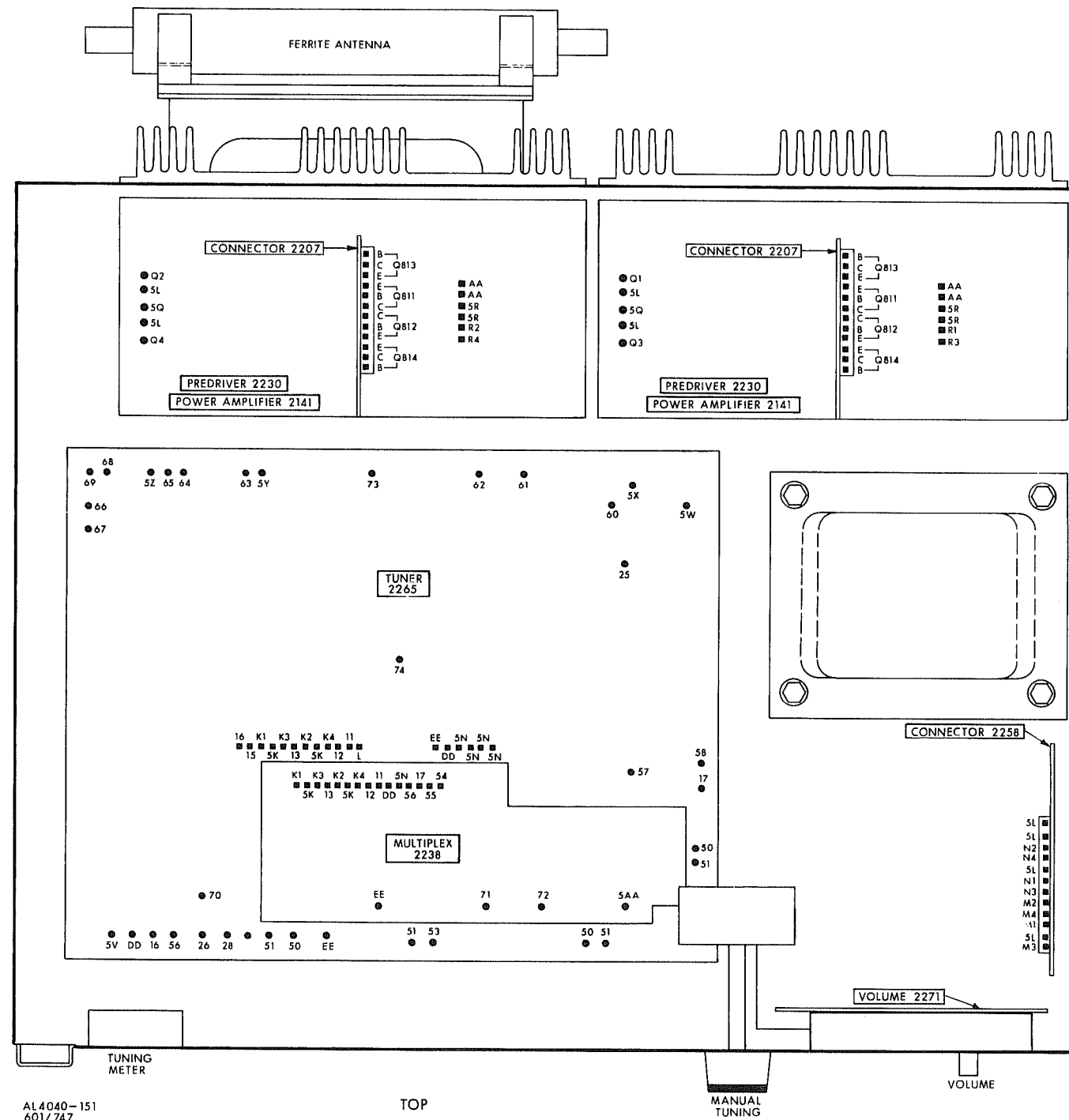
BASS

SELECTOR

TAPE MONITOR

PHONES



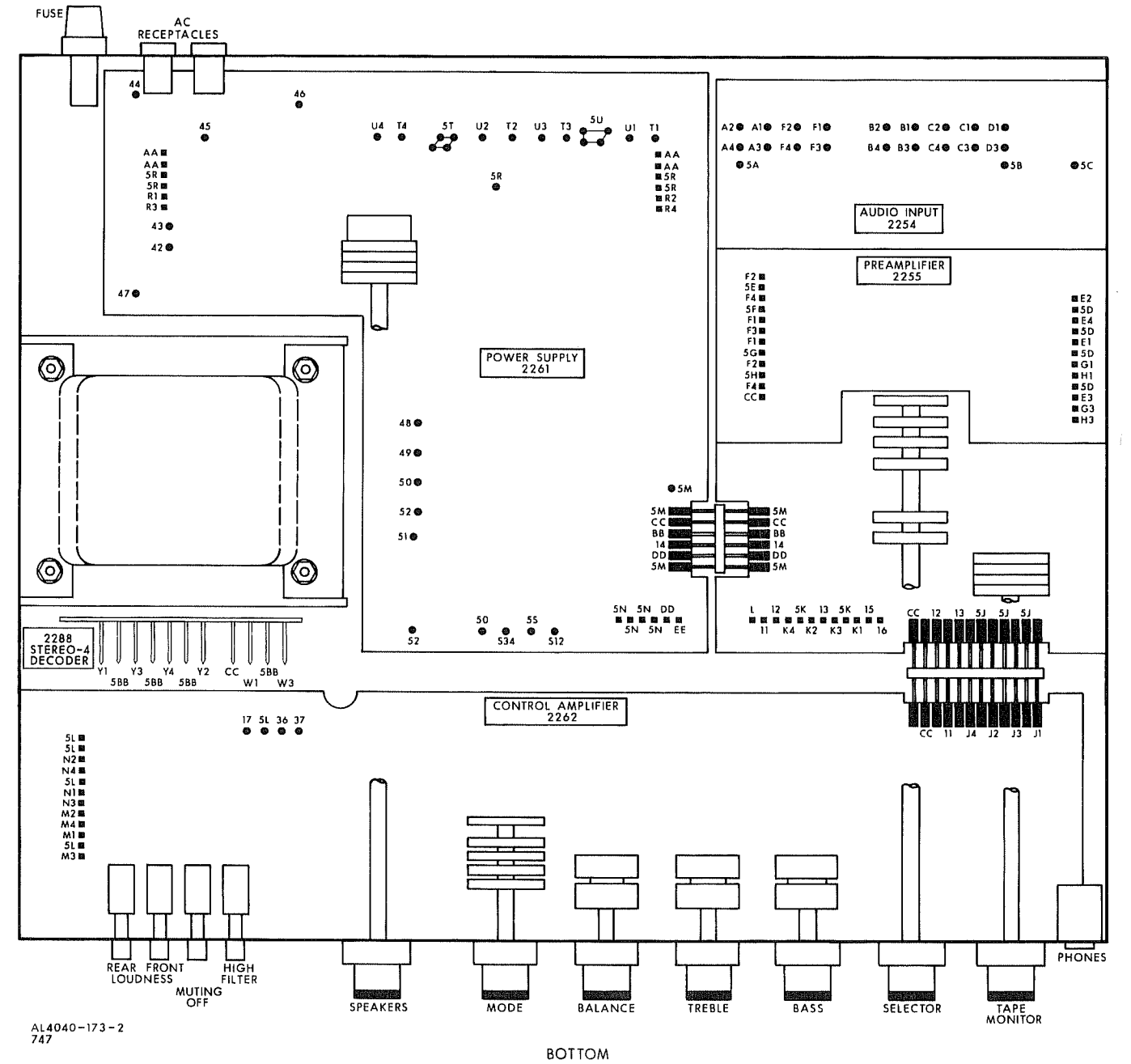


AL4040-151  
6017/747

TOP

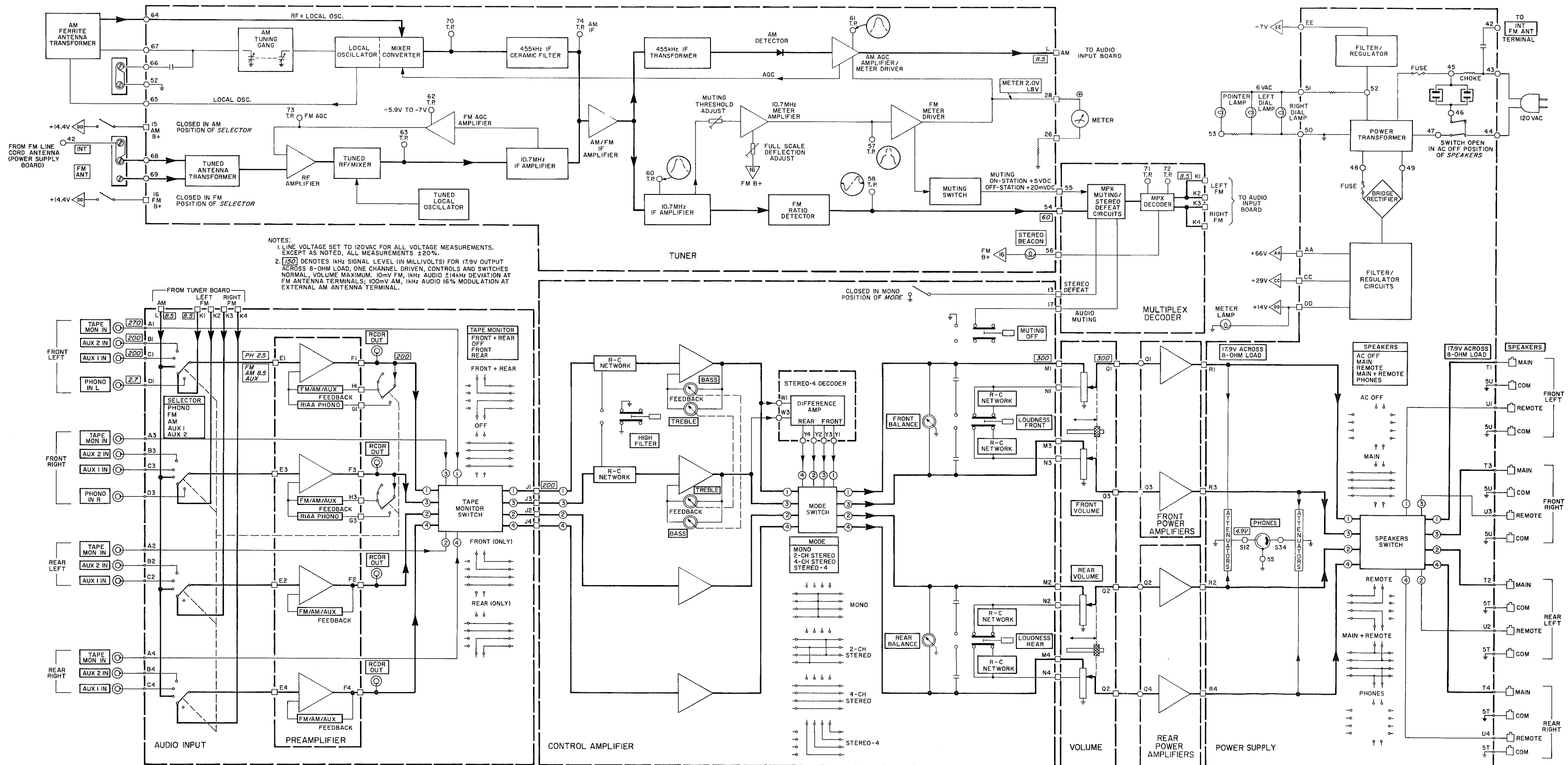
MANUAL  
TUNING

VOLUME

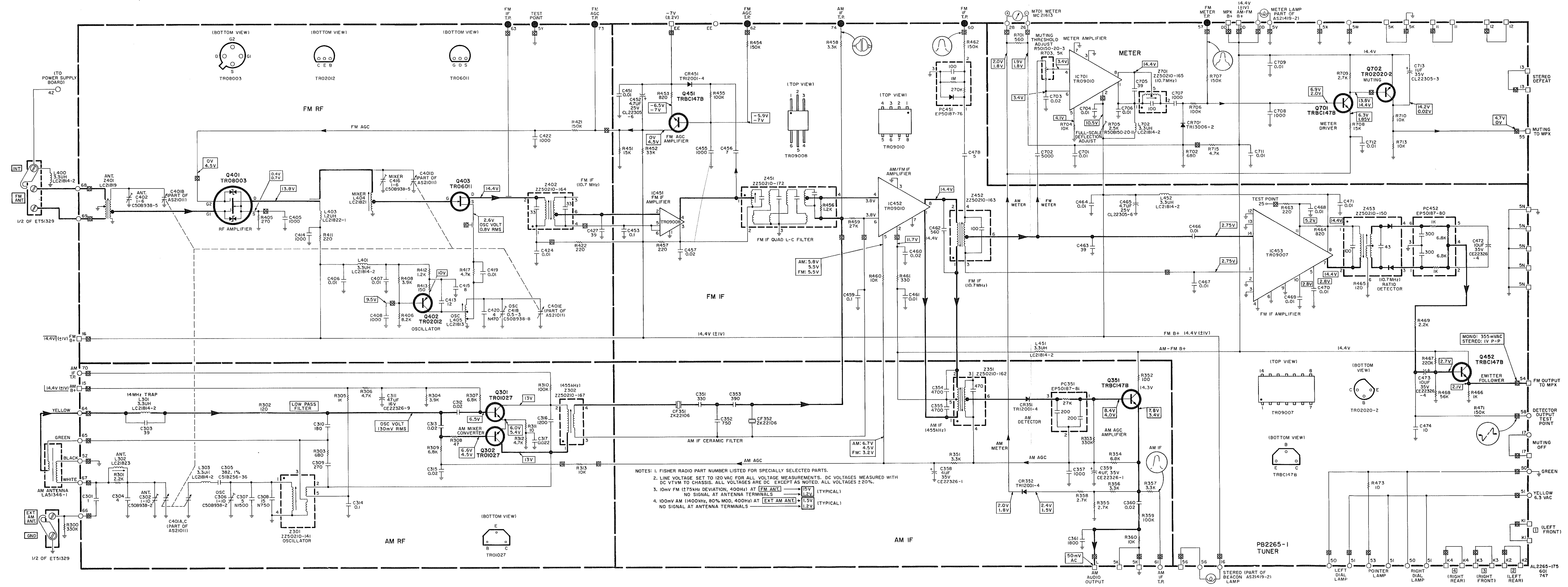


AL4040-173-2  
747

BOTTOM



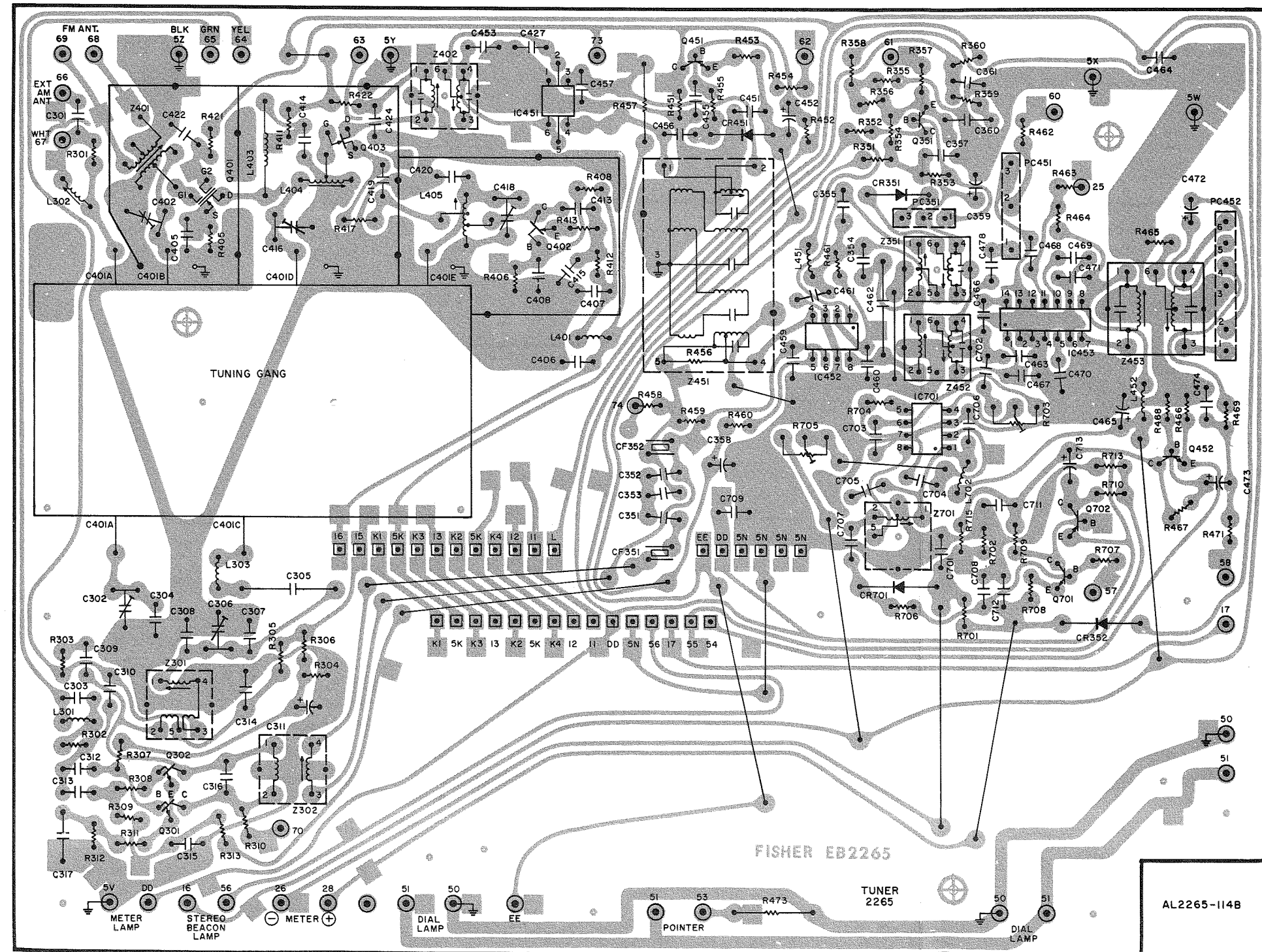
NOTES:  
1. LINE VOLTAGE SET TO 120VAC FOR ALL VOLTAGE MEASUREMENTS. EXCEPT AS NOTED, ALL MEASUREMENTS  $\pm 20\%$ .  
2. [150] DENOTES 1kHz SIGNAL LEVEL (IN MILLIVOLTS) FOR 17.9V OUTPUT ACROSS 8-OHM LOAD, ONE CHANNEL DRIVEN, CONTROLS AND SWITCHES NORMAL, VOLUME MAXIMUM. 100mV FM, 1kHz AUDIO  $\pm 14\%$  DEVIATION AT FM ANTENNA TERMINALS; 100mV AM, 1kHz AUDIO 16% MODULATION AT EXTERNAL AM ANTENNA TERMINAL.

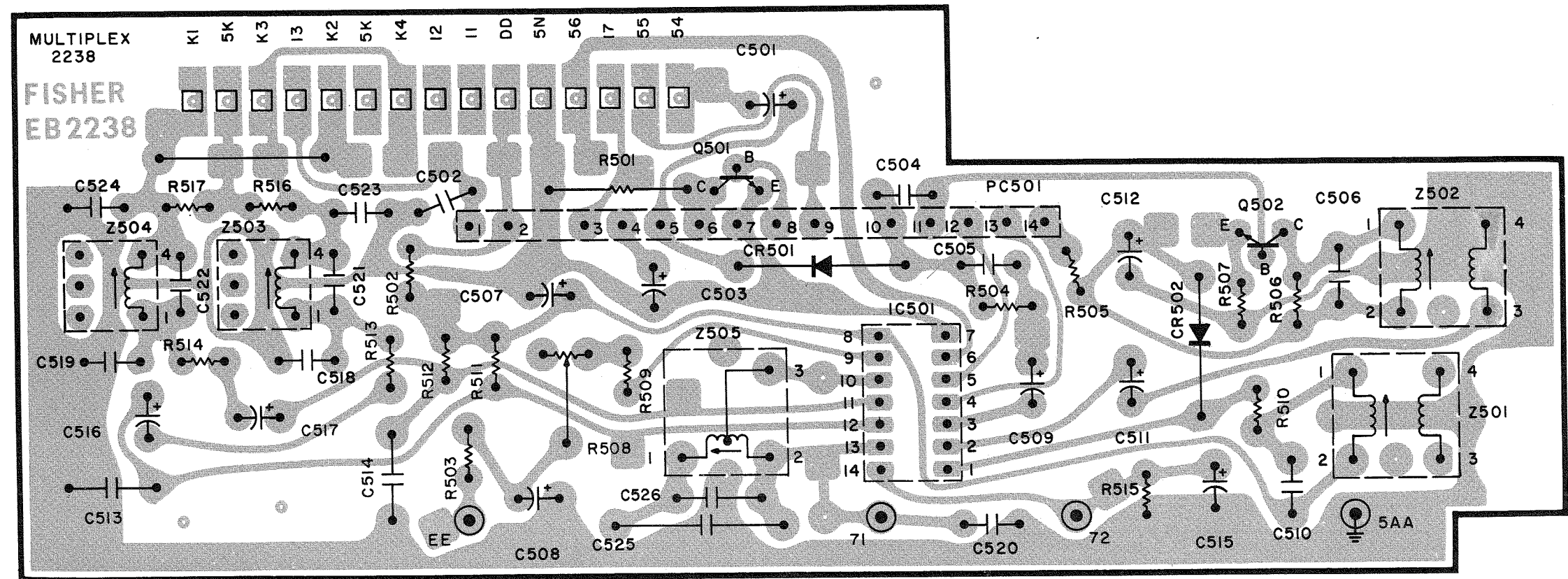


NOTES: 1. FISHER RADIO PART NUMBER LISTED FOR SPECIALLY SELECTED PARTS.  
 2. LINE VOLTAGE SET TO 120 VAC FOR ALL VOLTAGE MEASUREMENTS. DC VOLTAGES MEASURED WITH DC VTVM TO CHASSIS. ALL VOLTAGES ARE DC EXCEPT AS NOTED. ALL VOLTAGES ± 20%.  
 3. 10mV FM (±75kHz DEVIATION, 400Hz) AT [FM ANT] → [5V] (TYPICAL)  
 NO SIGNAL AT ANTENNA TERMINALS → [1.2V] (TYPICAL)  
 4. 100mV AM (1400kHz, 80% MOD, 400Hz) AT [EXT AM ANT] → [1.5V] (TYPICAL)  
 NO SIGNAL AT ANTENNA TERMINALS → [1.2V] (TYPICAL)

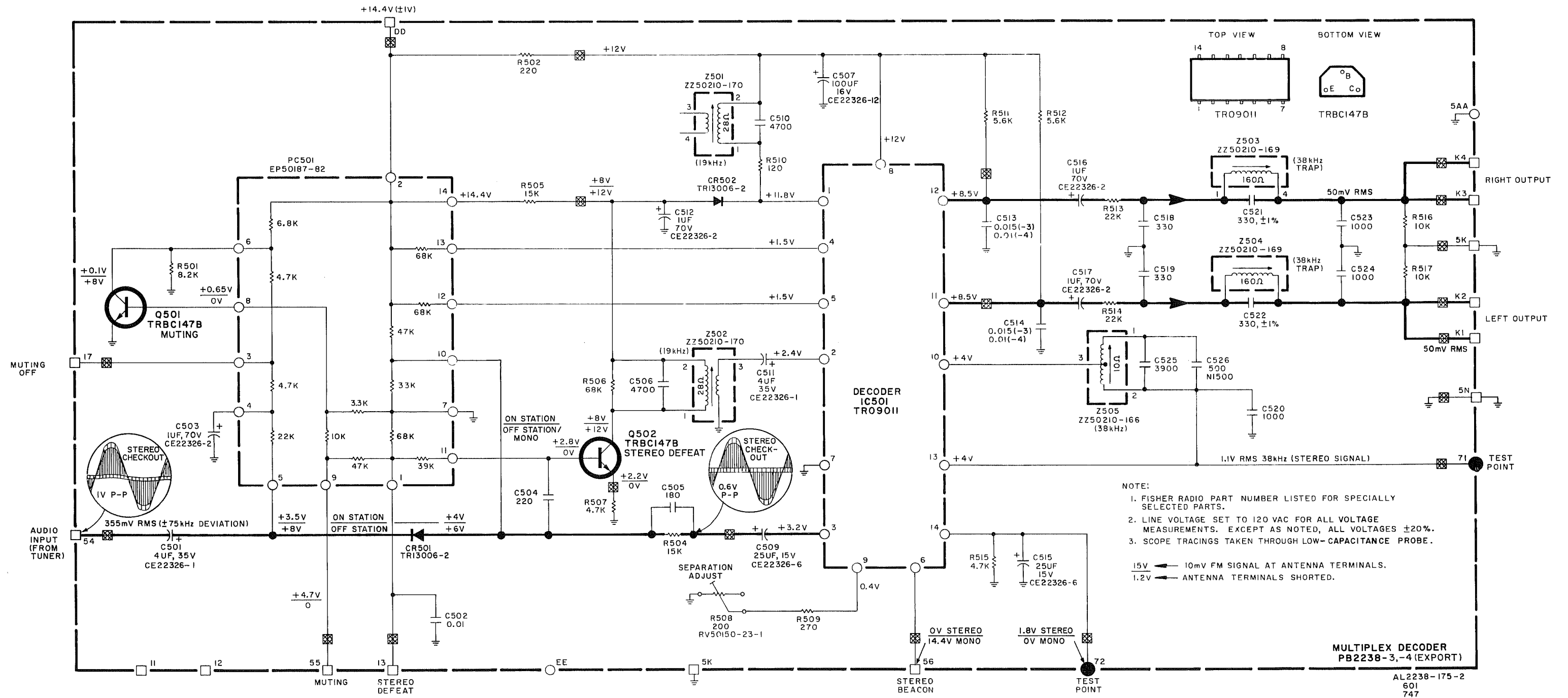
AL2265-175  
601  
747

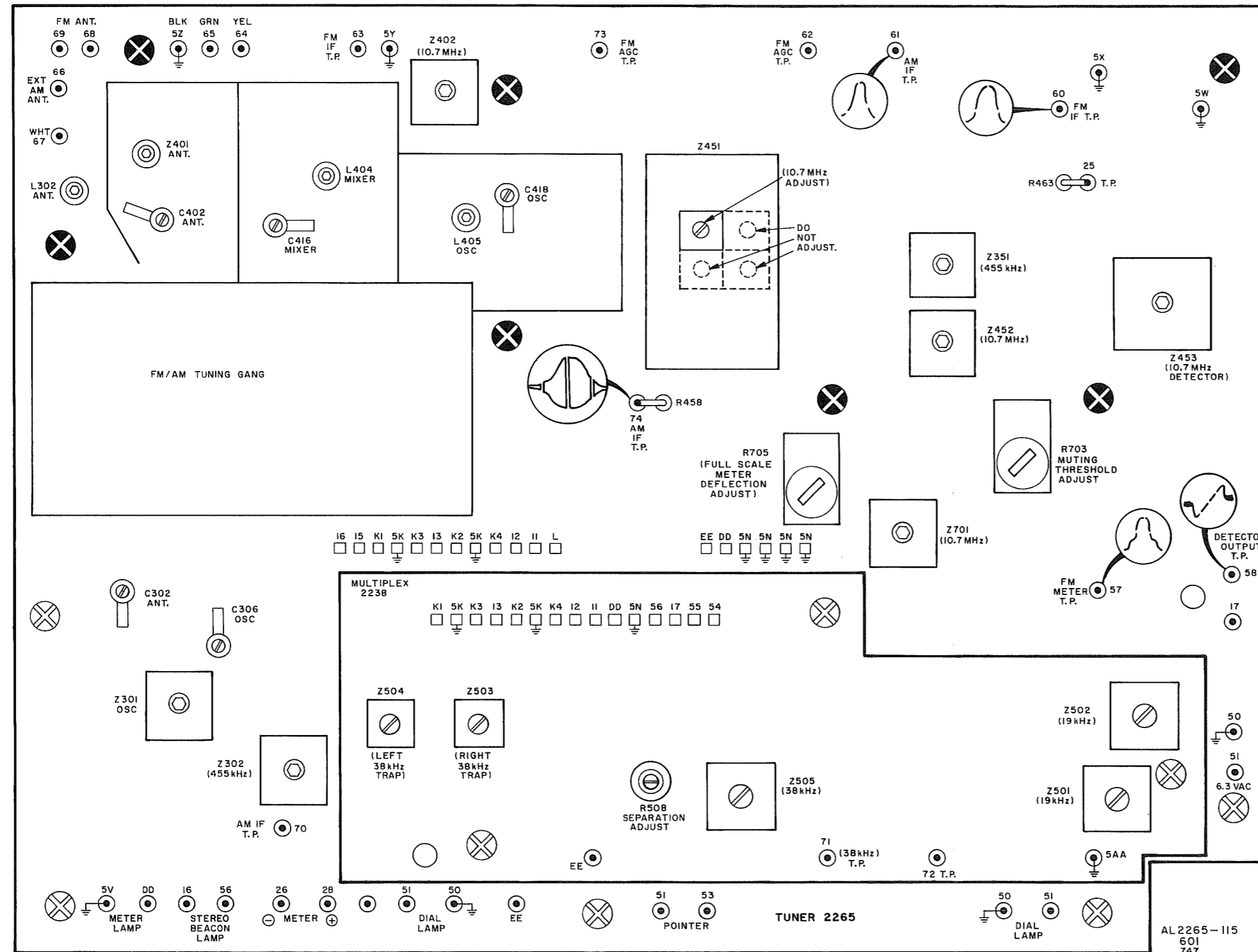






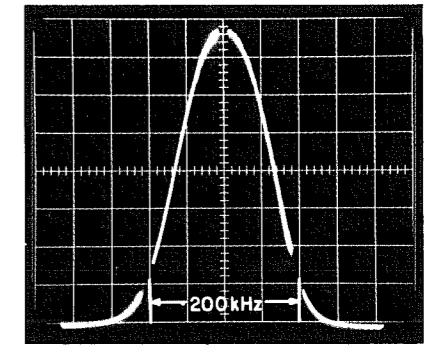
AL2238 - IIIA



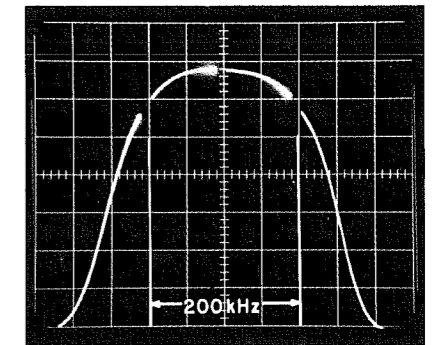


NOTE: CHASSIS GROUNDS ARE COMPLETED THROUGH MOUNTING SCREWS (⊗). TIGHTEN BEFORE ATTEMPTING ALIGNMENT OR TEST.

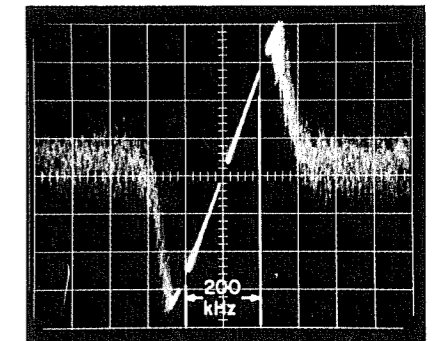
FM IF



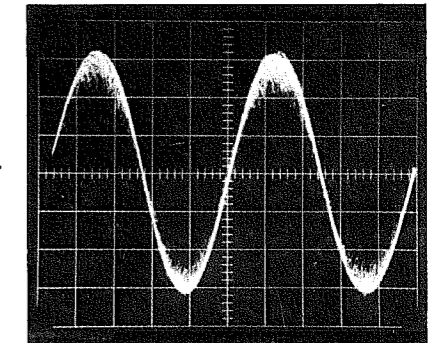
FM IF LIMITED



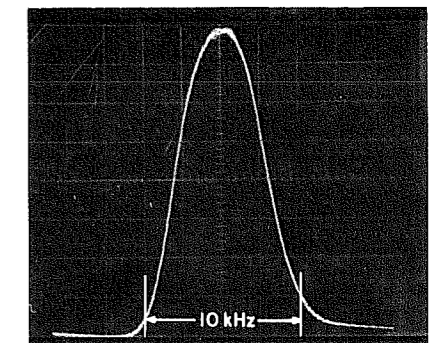
FM DETECTOR



SYMMETRICAL TUNING



AM IF



FM ALIGNMENT – SELECTOR to FM, MODE to MONO, MUTING OFF depressed, FRONT and REAR VOLUME to 0.

Maintain generator output as low as possible for suitable indication.

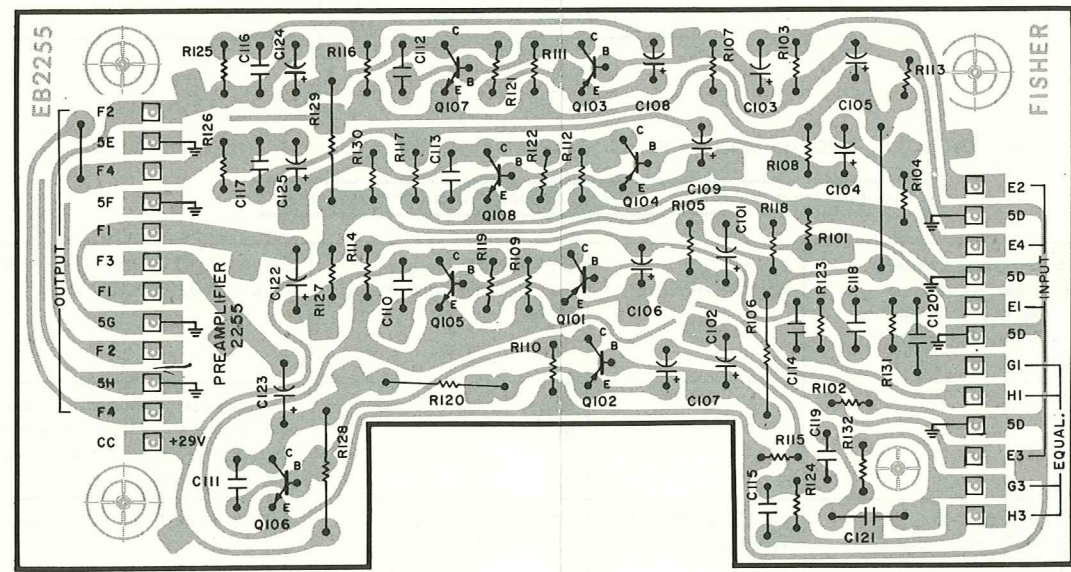
	GENERATOR	DIAL SETTING	INDICATOR	ADJUST
1. IF	10.7 MHz sweep to pin 63, gnd to 5Y	Position of non-interference near 88 MHz	Scope vert dc input to pin 60, gnd to 5X	Z402 and Z452 (top and bottom), Z451 for max gain and symmetry. See FM IF response.
2.	Increase to full output (approx 1V)	"	"	If necessary readjust Z452. See IF-LIMITED response.
3.	Reduce to minimum output for suitable indication	"	"	Readjust Z452 for max gain and symmetry.
4. DETECTOR	"	"	DC VTVM and scope vert input to pin 58, gnd to 5W	Z453 top, bottom for max gain and symmetry. See FM DETECTOR response.
5.	Turn off sweep	"	DC VTVM to lowest (most sensitive) range	Readjust Z453 top for 0 VDC
6. METER IF	10.7 MHz, no sweep, output as low as possible	"	DC VTVM to Pin 57, gnd to 5X	Z701 for max gain Note: If no signal verify that R703 is <u>not</u> fully CCW.
NOTE: Use 120-ohm composition resistors in series with each lead from RF generator. Generator output voltage is reduced to 1/2 at antenna terminals. Signal voltages are generator output levels, not antenna voltages.				
7. FRONT END		MANUAL TUNING fully CCW		Center pointer on 0 and cement
8.	FM generator to FM ANTenna terminals through 120-ohm composition resistors. Set to 90 MHz. Adjust output for panel meter indication approx 2 1/2.	Center of 90 MHz calibration mark on dial.	AC VTVM to RCDR OUT FRONT L jack	L404, L405, Z401 for max on VTVM Reduce generator output to keep panel meter at approx 2 1/2.
9.	Set to 106 MHz	Center of 106 MHz calibration mark on dial	"	C418, C416, C402 for max on VTVM. Reduce generator output to keep panel meter at approx 2 1/2. Repeat steps 8 and 9 for max signal and accurate dial calibration.
10. METER FULL-SCALE	106 MHz, no sweep, 100 mV output	Tune to generator	Front panel meter	R705 FULL SCALE METER DEFLECTION ADJUST for 4.5 indication.
11. MUTING	Position of non-interference near 98 MHz. Modulate with 400 Hz, ± 22.5 (or 25) kHz deviation.	Tune to generator	Scope vert input to pin 58, gnd to 5W	Reduce generator output for noise visible on sine wave. Readjust generator frequency to center noise on positive and negative half cycles. See SYMMETRICAL TUNING response. Release MUTING OFF pushbutton.
12.	25 uV output		"	Adjust R703 MUTING THRESHOLD ADJUST CCW until audio disappears on scope trace, then back off R703 slowly CW until audio reappears. Check adjustment by reducing generator output to 15 uV. Audio should disappear. Depress MUTING OFF.
13. 19kHz PILOT	FM generator with composite multiplex signal at EXTERNAL MODULATION input. Modulate with 19 kHz pilot (10%), 400 Hz audio (90%) left channel only. Set for ±25 kHz deviation and 2 mV output.	Tune to generator	DC VTVM to pin 72, gnd to 5AA	Set MODE to 2-CH STEREO. Adjust L501 and L502 for max on VTVM (0.7 VDC min). Set generator for ±42.5 kHz deviation. VTVM should indicate 1.7 VDC, min., STEREO-BEACON lamp should light.

	GENERATOR	DIAL SETTING	INDICATOR	ADJUST
14. SEPARATION	"	Tune to generator	AC VTVM to RCDR OUT FRONT L jack, another to RCDR OUT FRONT R jack	Set R508 SEPARATION ADJUST to mid-range. Adjust Z505 and R508 for min on right channel (at least 36 dB below left channel). Modulate right channel only. If necessary readjust Z505 and R508 for left channel indication 36 dB below right channel.
15. STEREO BEACON	Reduce output to 15 uV	Tune to generator	STEREOBEACON lamp	STEREOBEACON should be off. Increase generator output of 35uV, lamp should go on. (No adjustment)
16. 38 kHz TRAP	Modulate with 19 kHz pilot, ±7.5 kHz deviation (no audio). Set to 2 mV output.	Tune to generator	HD analyzer to RCDR FRONT L jack	Tune out 19 kHz fundamental to measure distortion. Adjust Z504 for min distortion reading.
17.	"	"	HD analyzer to RCDR OUT FRONT R jack	Adjust Z503 per step 16.

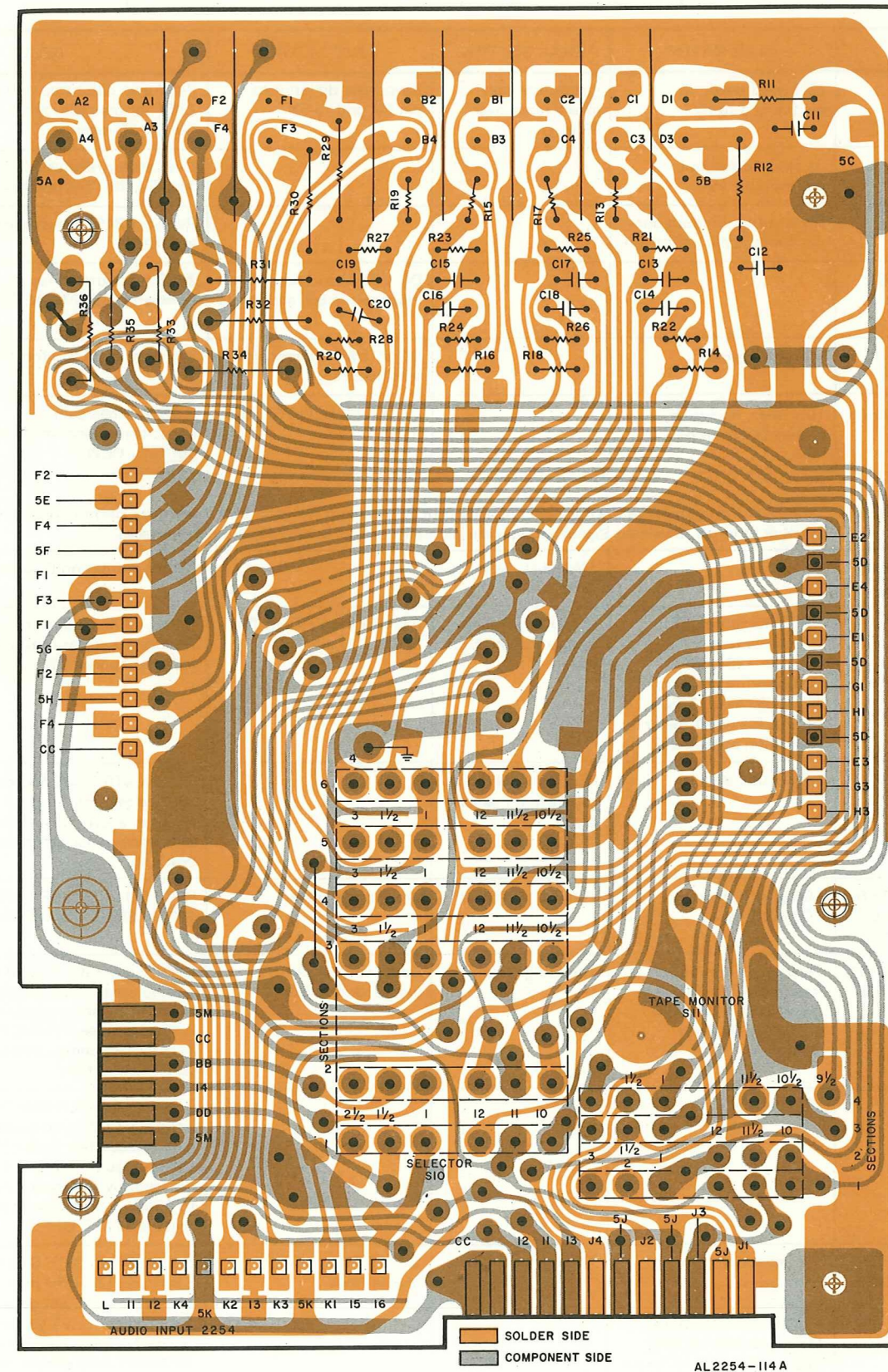
AM ALIGNMENT – SELECTOR to AM, MODE to MONO, FRONT and REAR VOLUME to 0.

Maintain generator output as low as possible for suitable indication

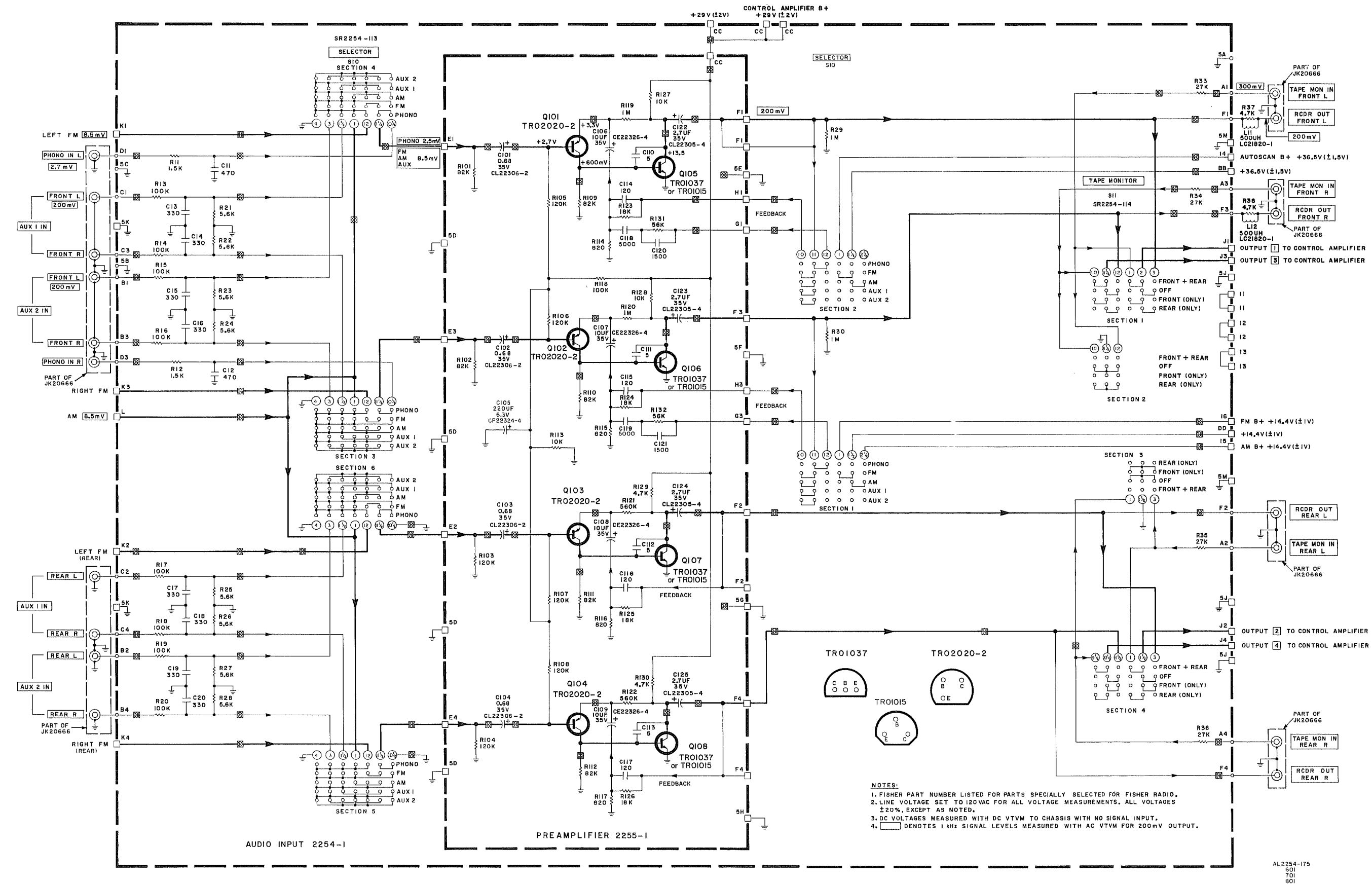
1. IF	455 kHz sweep generator to pin 70, gnd to 5V. Use 0.1 uF capacitor in series with generator lead.	Position of non-interference	Scope to pin 74, gnd to 5V. Use low capacitance probe.	Detune Z351 primary (bottom) CW. Adjust Z302 for max gain.
2.	"	"	Scope to pin 61, gnd to 5V.	Z351 top and bottom for max gain and symmetry. Max response may be ±2.5 kHz from center frequency. See AM IF response.
3. FRONT END	AM generator to EXT AM ANT and GND term. Open EXT AM ANT GND link. Use 220 pF capacitor in series with generator lead. Set to 600 kHz. Modulate with 400 Hz, 30% modulation.	Center of 600 kHz calibration mark on dial.	AC VTVM to RCDR OUT FRONT L jack	Z301 and Z302 for max gain.
4.	1400 kHz	Center of 1400 kHz calibration mark on dial.	"	C306 and C302 for max gain. Repeat steps 3 and 4 for max gain.

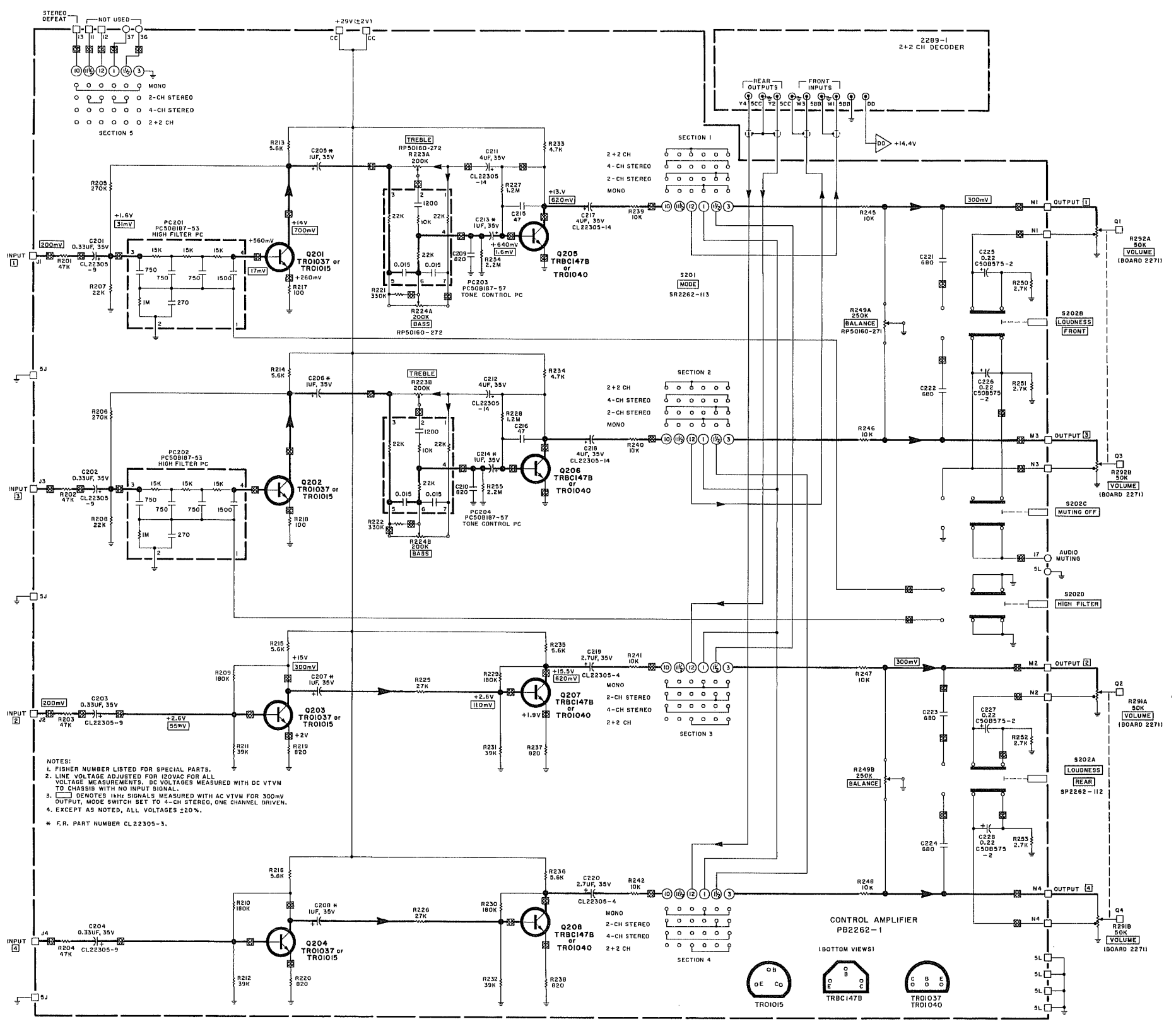
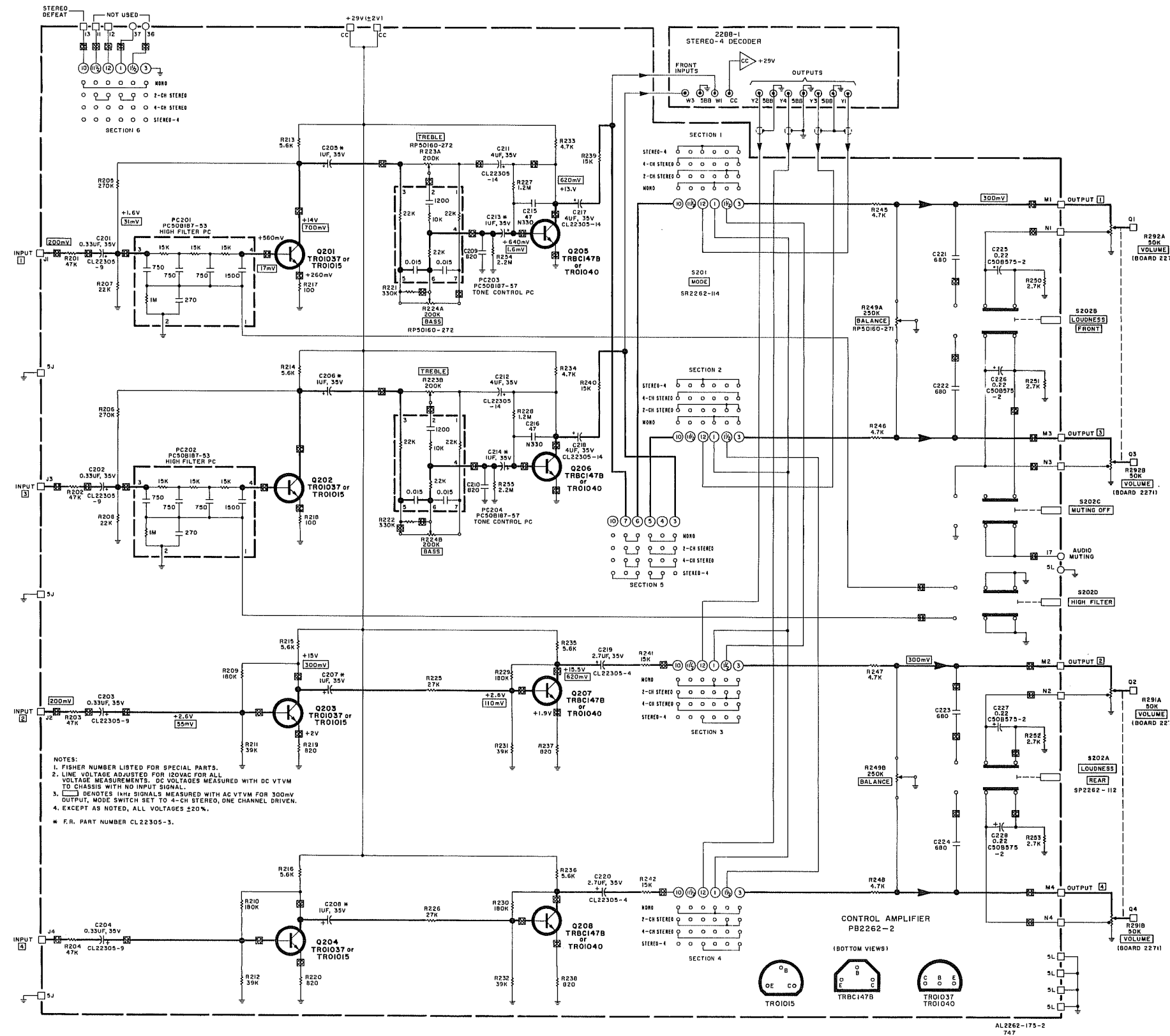


AL 2255-111A



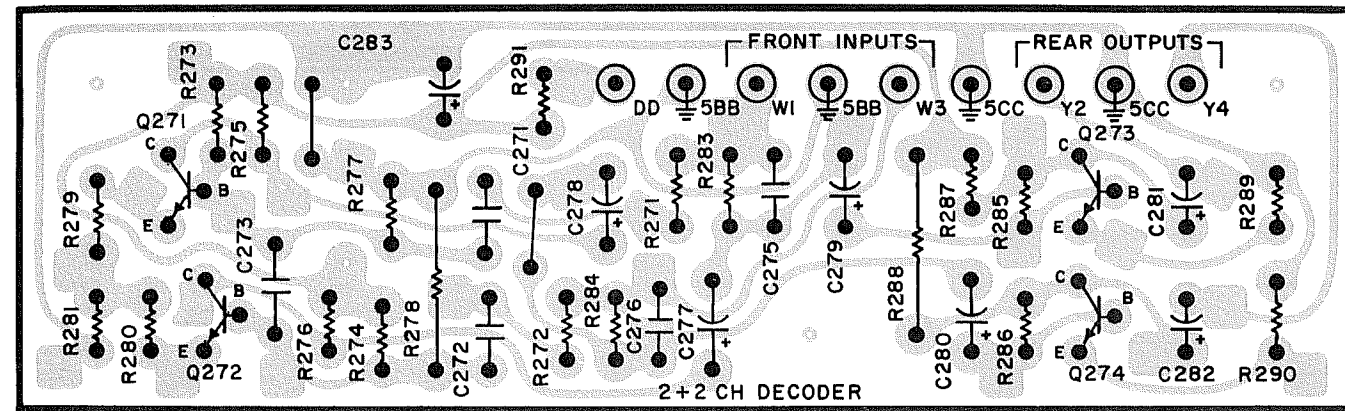
AL 2254-114A



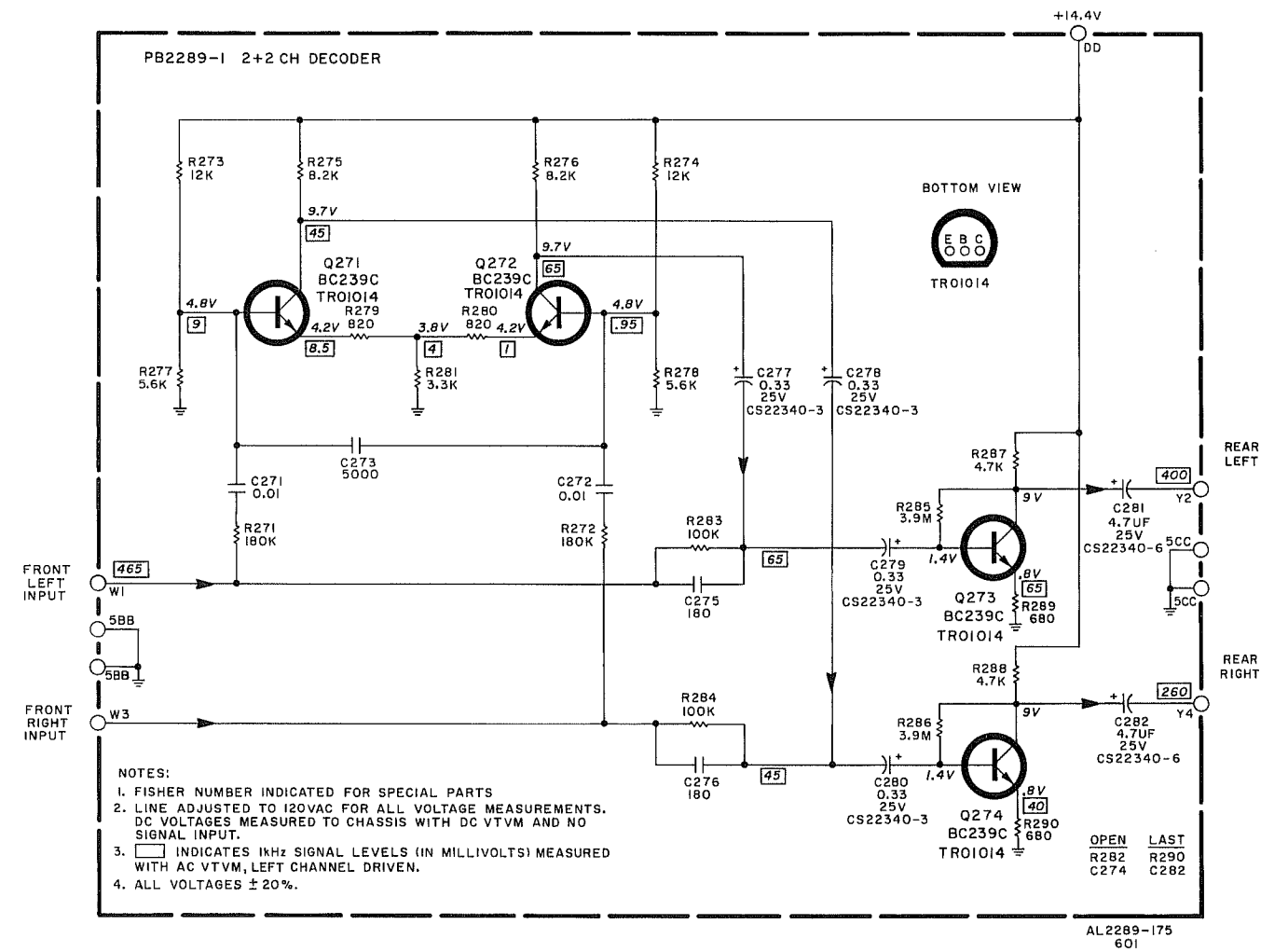


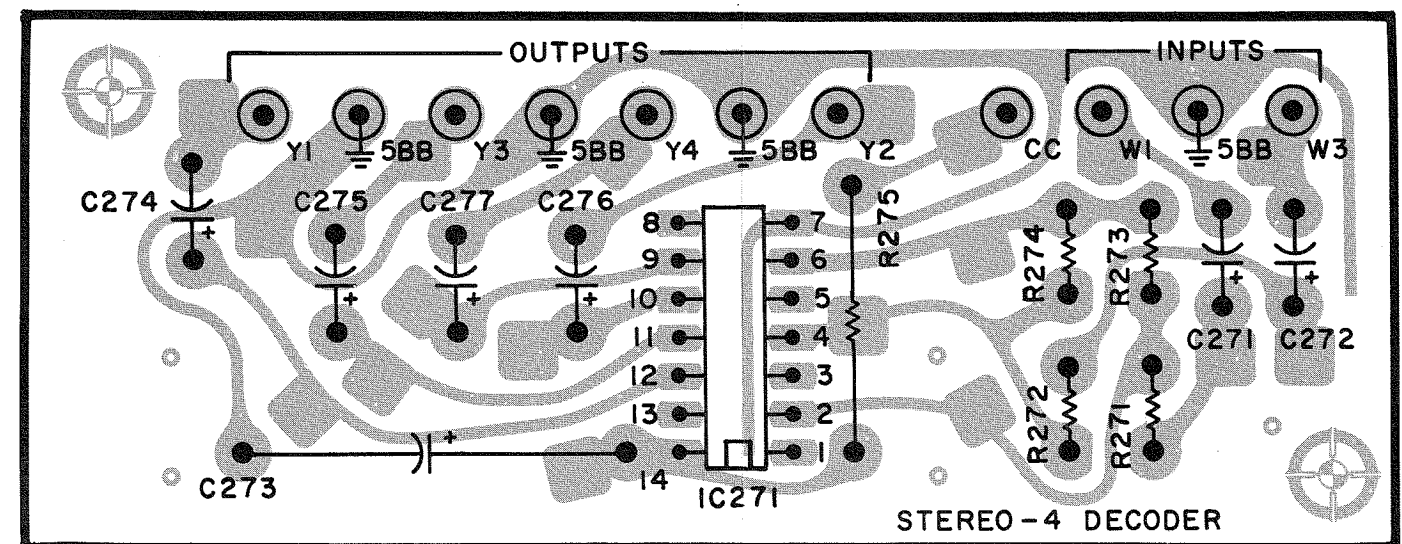
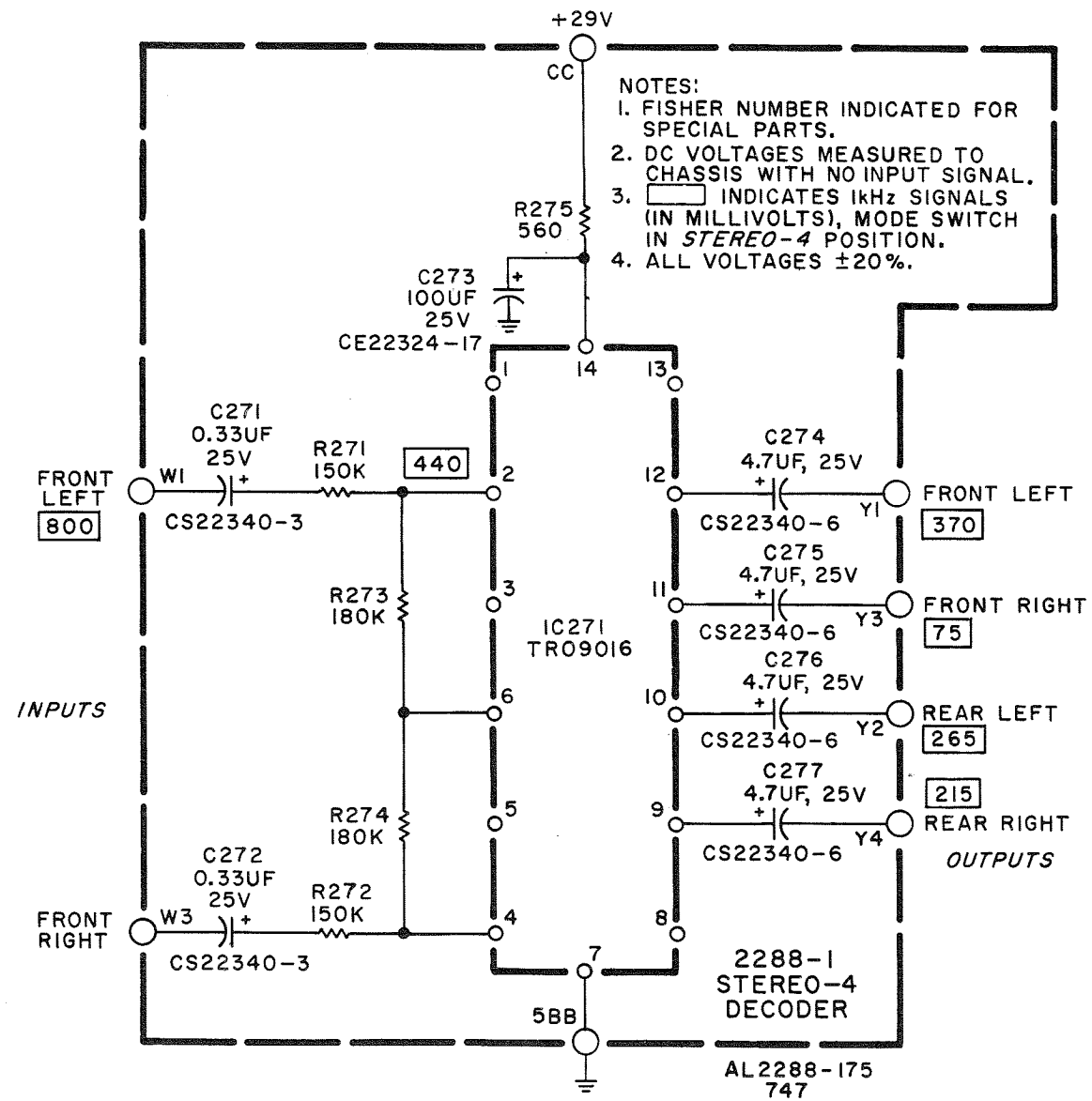




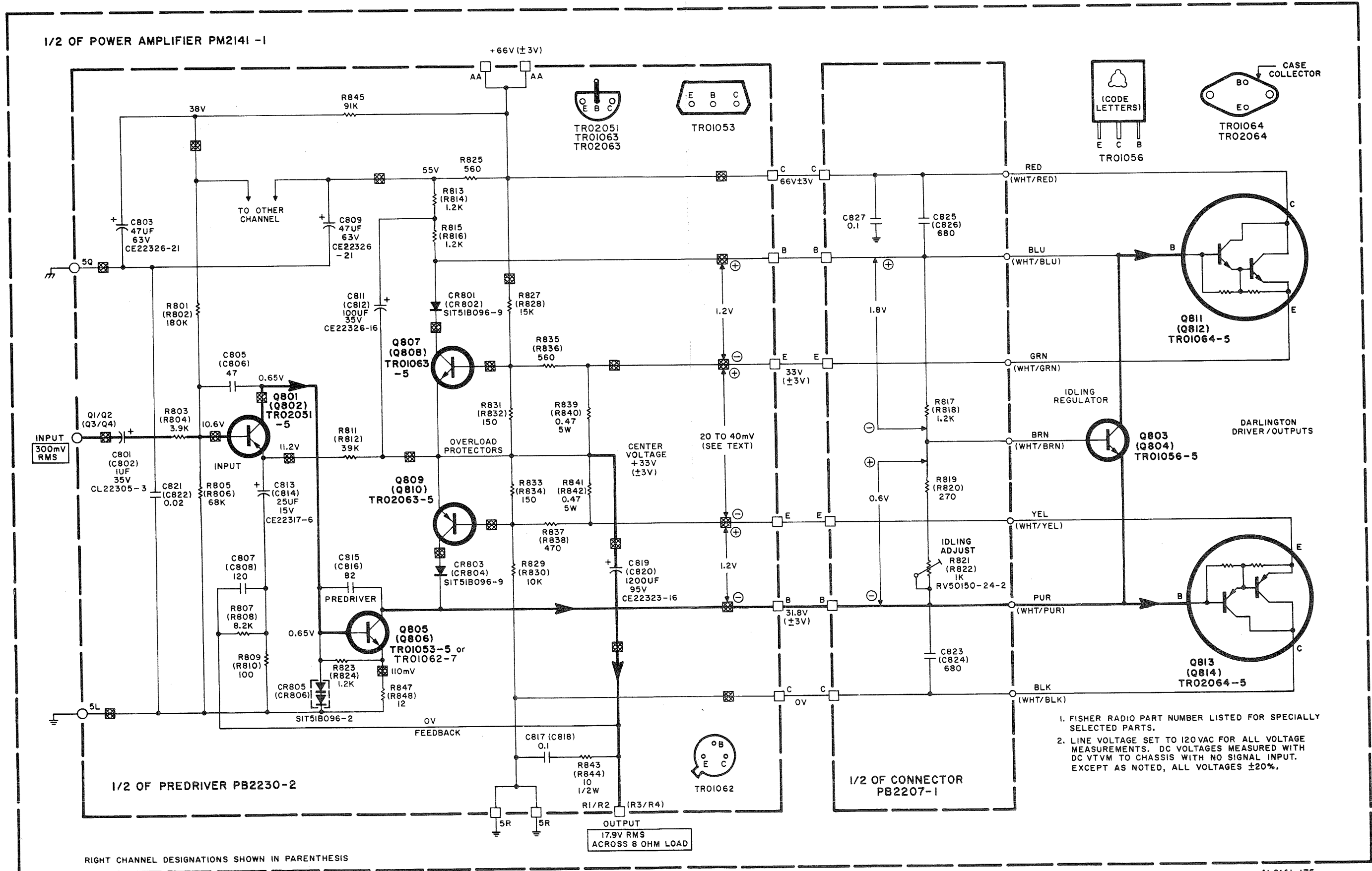


AL2289-III





AL2288-III



RIGHT CHANNEL DESIGNATIONS SHOWN IN PARENTHESIS

OUTPUT  
17.9V RMS  
ACROSS 8 OHM LOAD

## CENTER VOLTAGE TEST

Slide FRONT and REAR VOLUME controls to 0. Warm-up unit about 10 minutes. Set line voltage to 120 VAC.

Connect common lead of DC VTVM to chassis ground. Connect probe to each emitter terminal of Q811 and Q812 on rear and front amplifiers. Meter should indicate +33V ( $\pm 3V$ ) at each emitter. See illustration.

## IDLING CURRENT ADJUSTMENT

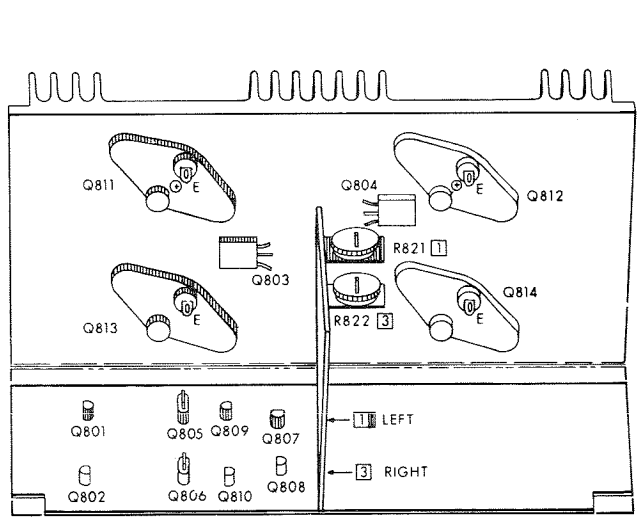
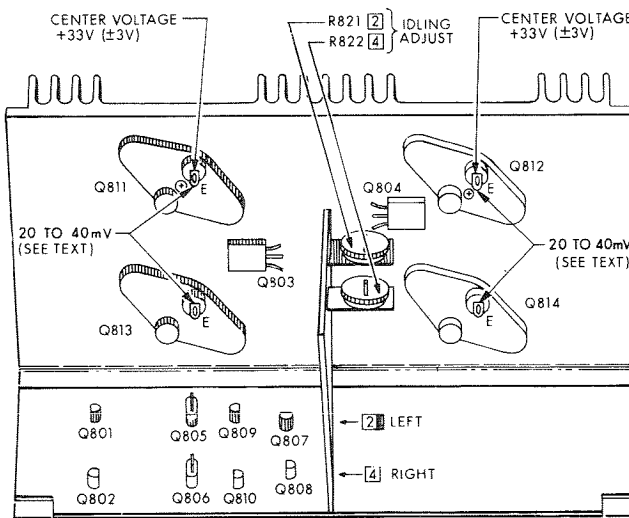
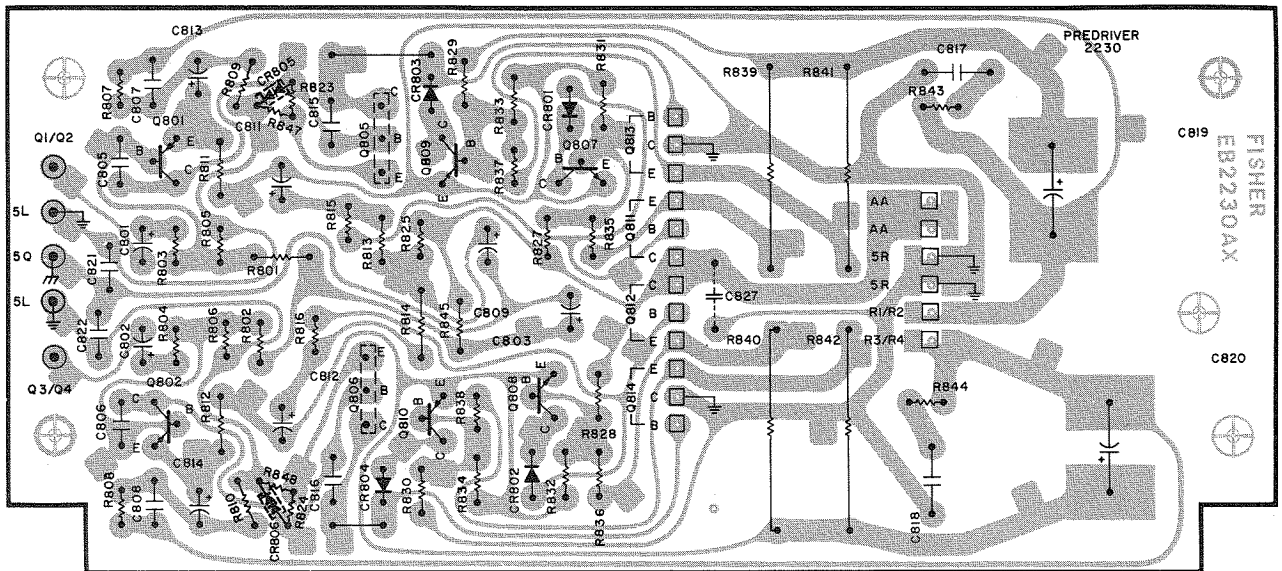
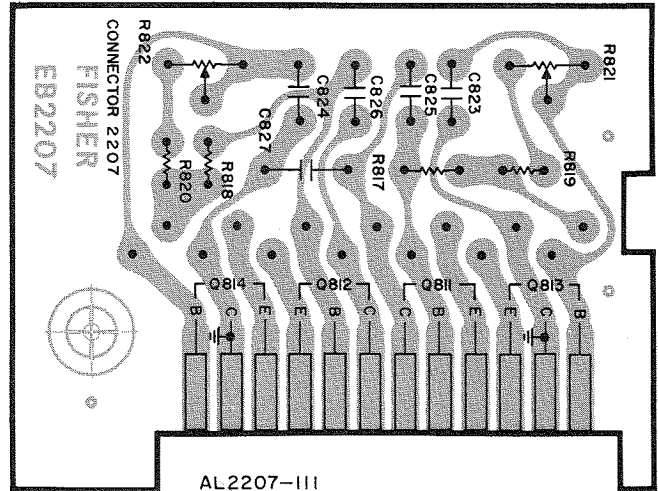
Slide FRONT and REAR VOLUME controls to 0. Warm-up unit about 10 minutes. Set line voltage to 120 VAC.

### REAR AMPLIFIERS

- (1) Connect common lead of DC VTVM to emitter terminal of Q813 and probe to emitter terminal Q811. See illustration. Set IDLING ADJUST R821 for indication of 20 to 40 mV.
- (2) Connect DC VTVM between emitters of Q812 and Q814 and adjust R822 for indication of 20 to 40 mV.

### FRONT AMPLIFIERS

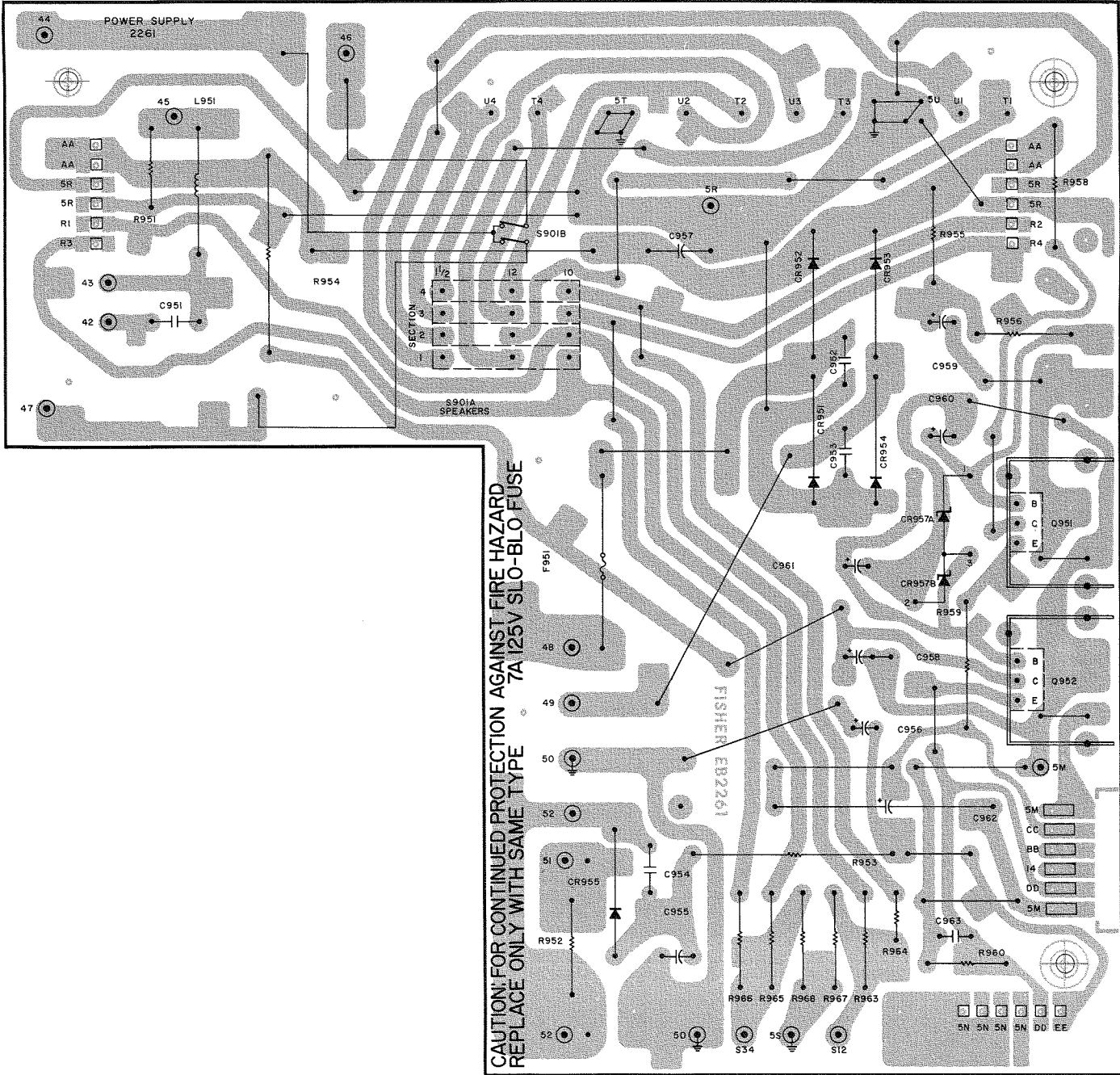
Repeat steps (1) and (2).



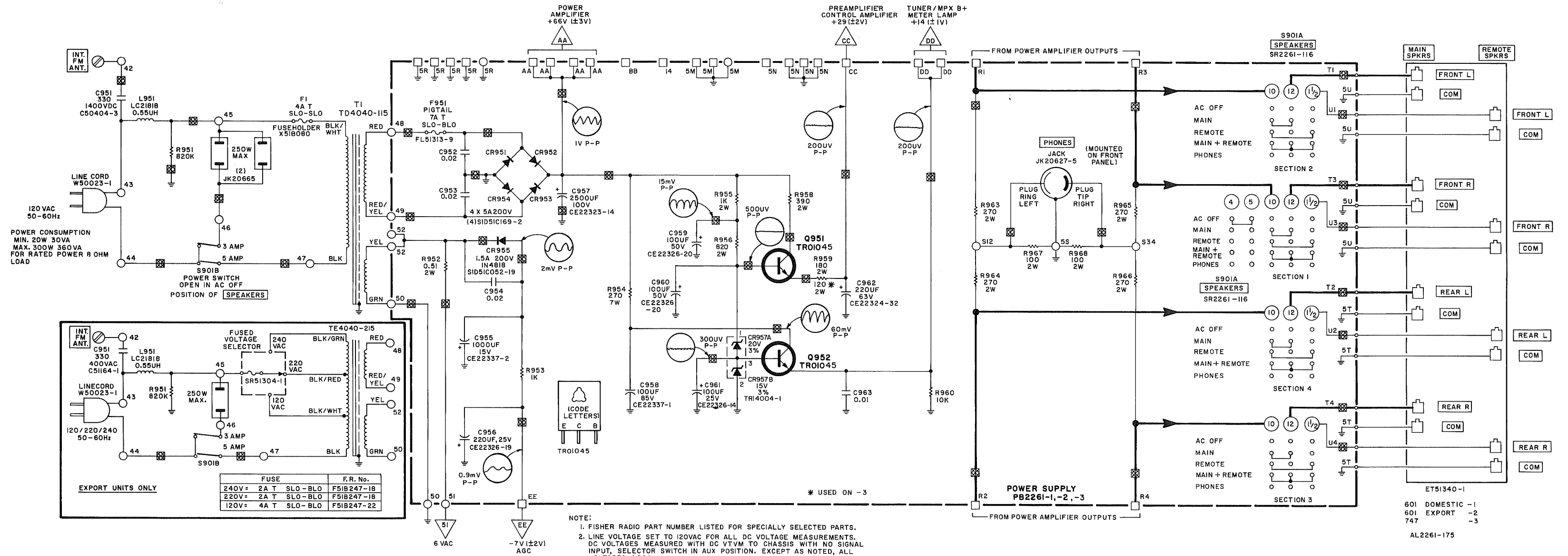
REAR AMPLIFIERS

FRONT AMPLIFIERS  
(SAME AS REAR)

AL2141-177  
601  
747



AL2261-111A



601 DOMESTIC -1  
601 EXPORT -2  
747 -3

AL2261-175

PLEASE READ CAREFULLY: This parts list is solely for the use of authorized Fisher service personnel, factory service stations, and franchised Fisher dealers. Prices do not include shipping charges. Please include the serial number of the Fisher equipment for which the part(s) are intended. Send your order to PARTS DEPARTMENT, FISHER RADIO, 11-40 45th Road, Long Island City, N.Y. 11101.

MAIN CHASSIS				PB2265-1 AM-FM TUNER			
Symbol	Description	Part No.	Sug. Ret.	Symbol	Description	Part No.	Sug. Ret.
—	Antenna, Ferrite (AM)	LA51346-1	5.05	C301	Ceramic, 1pF ±.25pF, 500V	C50B652-20	.35
—	Antenna, FM Dipole	LA51319-1	1.45		P100		
—	Bracket, Antenna	AB4039-120	.80	C302, 306	Trimmer, 1 - 10pF	C50B938-2	.75
—	Bracket, Antenna Support	AB4039-126	1.00	C303, 427	Ceramic, 39pF, 5%, 500V,	C50B652-51	.35
—	Cabinet	KK4040-125-1	24.95	463, 705	N330		
—	Channel Rubber	A670-137	.40	C304	Ceramic, 4pF±.25pF, 500V,	C50B652-29	.35
—	Coupling, Extender Shaft	H50A799	.35		NPO		
—	Cover, Bottom	AA4072-114	8.95	C305	Polystyrene, 382pF, 1%, 33V	C51B256-36	.90
—	Cover, Top	AA4039-116	14.45	C307	Ceramic, 5pF, 5%, 500V,	C50B652-47	.35
—	Dial Glass, Screened (601)	AS4040-107	.60		N1500		
—	Dial Glass, Screened (747)	AS4040-747	.60	C308	Ceramic, 15pF, 5%, 500V,	C50B652-46	.35
—	Dress Panel Assy (601)	AS4040-117	28.00		N750		
—	Dress Panel Assy (747)	AS4040-147	28.00	C309	Ceramic, 270pF, 10%, 500V	C50B651-18	.30
—	Drum, Dial Cord	E51D156	.70	C310	Ceramic, 180pF, 10%, 500V	C50B651-14	.30
—	Foot, Plastic	E51A172	.30	C311	Electrolytic, 47uF, 16V	CE22326-9	.70
—	Fuse: 2A, 250V, Slo-Blo	F51B247-18	.60	C312, 313	Ceramic, 0.02uF, +80-20%,	C50B570-2	.45
	*4A, 250V, Slo-Blo	F51B247-22	.60	315, 457	100V		
	*4A, 125V, Slo-Blo	FL51313-12	.60	460, 703			
	(UL Approved)			C314	Polyester, 0.1uF, 10%, 160V	C50B646-4	.45
—	Jack, Headphone	JK20627-5	1.20	C316	Polystyrene, 1200pF, 5%, 33V	C51B256-32	.50
—	Jack, Headphone	JK20627-4	1.25	C317	Polyester, 0.022uF, 10%,	C50B647-9	.45
—	Knob (601):				160V		
—	Volume	EK20029	.50	C351	Silvered Mica, 330pF, 5%, 50V	CA22313-6	.40
—	Pushbutton	EK20030	.50	C352	Polystyrene, 750pF, 5%, 33V	C51B256-12	.50
—	Tuning	EK20035	.50	C353	Silvered Mica, 390pF, 5%,	CA22313-18	.40
—	Selector, Speakers, Mode,				50V		
—	Tape Monitor	EK20036	.50	C354, 355	Polystyrene, 4700pF, 5%,	C51B256-23	.50
—	Dual Outer: Bass, Treble,				33V		
—	Balance	EK20037	.50	C357, 405	Ceramic, 1000pF, 10%,	C50B651-3	.35
—	Dual Inner: Bass, Treble,				500V		
—	Balance	EK20038	.70	408, 414			
—	Knob (747):			422, 455			
—	Volume	EK20029-2	.65	707, 708			
—	Pushbutton	EK20030-2	.70	C358, 359	Electrolytic, 4uF, 35V	CE22326-1	.50
—	Tuning	E20B015	.50	C360	Ceramic, 0.02uF, 20%, 500V	C50B567-3	.35
—	Selector, Speaker, Mode,			C361	Ceramic, 1800pF, 10%, 500V	C50B651-22	.35
—	Tape Monitor	E20B017	.50		AM-FM Variable	AS21011	8.20
—	Dual Outer: Bass, Treble,				D,E		
—	Balance	E20B012	.50	C402, 416	Trimmer, 1 - 6pF	C50B938-5	.75
—	Dual Inner: Bass, Treble,			C406, 407	Ceramic, 0.01uF, +80-20%,	C50B570-1	.40
—	Balance	E20B016	.50	419, 424	100V		
—	Lamp Assy, Pointer	AS21417-1	1.00	451, 461			
—	Lamp Assy, Dial Glass (right)	AS21410-7	.85	464, 466			
—	Lamp Assy, Dial Glass (left)	AS21410-6	.85	467, 468			
—	Meter Clip	HH4039-129	.55	469, 470			
—	Meter, Indicating	MC21613	7.10	471, 701			
—	Nameplate '601'	NP22618	1.15	704, 706			
—	Nameplate '747'	NP22644	.75	709, 711			
—	PCB AM-FM Tuner	PB2265-1	142.10	712			
—	PCB MPX Decoder	PB2238-3	37.00	C413	Ceramic, 12pF, 5%, 500V,	C50B652-34	.35
—	*PCB MPX Decoder	PB2238-4	37.00		NPO		
—	PCB Audio Input	PB2254-1	59.30	C415	Ceramic, 8pF, 5%, 500V,	C50B652-24	.35
—	PCB Preamplifier	PB2255-1	30.10		NPO		
—	PCB Control Amplifier	PB2262-1	82.85	C418	Trimmer, 0.5 - 3pF	C50B938-8	1.20
—	PCB Control Amplifier	PB2262-2	85.75	C420	Ceramic, Tubular, 4pF	CT22336-5	.50
—	PCB 2+2 Channel Decoder	PB2289-1	13.95		±.25pF, 500V, N470		
—	PCB Stereo 4 Decoder	PB2288-1	19.30	C452, 465	Tantalum, 4.7uF, 25V	CL22305-6	.90
—	PCB Connector-Volume Control			C453, 459	Ceramic, 0.1uF, +80-20%,	CK22315-2	.45
	(Combined PB2258-PB2271)	PB2209-1	18.40		12V		
—	Power Amplifier Module	PM2141-1	119.30	C456	Ceramic, 7pF, 5%, 500V, NPO	C50B652-52	.35
—	PCB Predriver, Driver	PB2230-2	48.15	C462	Polystyrene, 560pF, 5%, 33V	C51B256-10	.50
—	PCB Connector	PB2207-1	3.70	C472, 473	Electrolytic, 10uF, 35V	CE22326-4	.65
—	PCB Power Supply	PB2261-1	70.05	C474	Ceramic, 10pF, 10%, 500V,	C50B652-28	.30
—	*PCB Power Supply	PB2261-2	70.45		NPO		
—	PCB Power Supply	PB2261-3	69.60	C478	Ceramic, 5pF, 5%, 500V, NPO	C50B652-21	.35
—	Receptacle, AC Outlet	JK20665	.60	C702	Ceramic, 5000pF, 20%, 500V	C50B567-2	.30
—	Retainer, Dial Glass	AB4039-130	.65	C713	Tantalum, 1uF, 35V	CL22305-3	.80
—	*Switch, Voltage Selector	SR51304-1	1.65	CF351, 352	Ceramic Filter	ZK22106	2.00
—	Terminal Board, Speakers	ET51340-1	4.75	CR351, 352,	Diode, Germanium, AA119	TR12001-4	.60
—	Terminal Strip, Antenna	ET51329	.95	451			
—	Tuning Shaft Assy	AS20722-3	2.85	CR701	Diode, Silicon	TR13006-2	.35
L400	Choke, RF, 3.3 uH	LC21814-2	.55	IC451	IC Single Stage IF Amplifier	TR09008	2.30
R300	Resistor, Composition,			IC452, 701	IC Two-Stage IF Ampl/AGC	TR09010	4.25
	330K, 10%, 1/2 W	RC20BF334K	.30	IC453	IC Four-Stage IF Amplifier	TR09007	4.35
T1	Transformer, Power	TD4040-115	34.00	L301, 303	RF Choke, 3.3uH	LC21814-2	.55
T1	*Transformer, Power	TE4040-215	36.50	401, 451			
				452, 702			

\* Denotes Export Units only

BECAUSE ITS PRODUCTS ARE SUBJECT TO CONTINUOUS IMPROVEMENT, FISHER RADIO RESERVES THE RIGHT TO MODIFY ANY DESIGN OR SPECIFICATION WITHOUT NOTICE AND WITHOUT INCURRING ANY OBLIGATION.

PRICES SUBJECT TO CHANGE WITHOUT NOTICE



## PB2265-1 AM-FM TUNER

Symbol	Description	Part No.	Sug. Ret.
L302	Coil, Adjustable	LC21823	1.10
L403	RF Choke, 1.2uH	LC21822-1	.65
L404	Mixer Coil	LC21821	.75
L405	Oscillator Coil	LC21813	.90
L701	IF Transformer, 10.7MHz	ZZ50210-165	1.15
PC351	Printed Circuit	EP50187-81	1.25
PC451	Printed Circuit	EP50187-76	2.40
PC452	Printed Circuit	EP50187-80	2.10
Q301, 302	Transistor A494/BF194	TR01027	1.00
Q351, 451	Transistor BC147B	TRBC147B	.55
452, 701			
Q401	Transistor, Dual Gate, MOSFET	TR08003	1.75
Q402	Transistor, PNP, Silicon	TR02012	1.00
Q403	Transistor, N-Channel FET	TR06011	1.55
Q702	Transistor, PNP, Silicon	TR02020-2	.55
R301, 469	2.2K	R33DC222J	.30
R302, 465	120	R33DC121J	.30
R303, 702	680	R33DC681J	.30
R304, 408	3.9K	R33DC392J	.30
R305, 466	1K	R33DC102J	.30
R306, 312	4.7K	R33DC472J	.30
417, 715			
R307, 309	6.8K	R33DC682J	.30
354			
R308	47	R33DC470J	.30
R310, 359	100K	R33DC104J	.30
455, 706			
R311	10	R33DC100J	.30
R313, 360	10K	R33DC103J	.30
460, 704			
710, 713			
R351, 356	3.3K	R33DC332J	.30
357, 458			
R352	100	R33DC101J	.30
R353	330K	R33DC334J	.30
R355, 358	2.7K	R33DC272J	.30
709			
R405	270	R33DC271J	.30
R406	8.2K	R33DC822J	.30
R411, 422	220	R33DC221J	.30
457, 463			
R412	1.2K	R33DC122J	.30
R413	150	R33DC151J	.30
R421, 454	150K	R33DC154J	.30
462, 471			
707			
R451, 708	15K	R33DC153J	.30
R452	33K	R33DC333J	.30
R453, 464	820	R33DC821J	.30
R459	27K	R33DC273J	.30
R461	330	R33DC331J	.30
R467	220K	R33DC224J	.30
R468	56K	R33DC563J	.30
R473	Composition, 10, 10%, 1/2W	RC20BF100K	.30
R701	560	R33DC561J	.30
R703	Variable, 5K, ±30%	R50150-20-3	1.10
R705	Variable, 2.5K, ±30%	R50B150-20-11	.70
Z301	AM Oscillator Coil	ZZ50210-141	1.60
Z302	Transformer, 455kHz, IF Output	ZZ50210-167	1.50
Z351	Transformer, 455kHz, AM IF Out.	ZZ50210-162	2.00
Z401	FM Antenna Coil	LC21819	1.45
Z402	IF Transformer, 10.7MHz	ZZ50210-164	1.50
Z451	10.7MHz Quad L-C Filter	ZZ50210-172	4.95
Z452	IF Transformer, 10.7MHz	ZZ50210-163	1.65
Z453	Ratio Detector, 10.7MHz	ZZ50210-150	3.70

## PB2238-3,4 MPX DECODER

Symbol	Description	Part No.	Sug. Ret.
C501, 511	Electrolytic, 4uF, 35V	CE22326-1	.65
C502	Ceramic, 0.01uF, +80-20%, 100V	C50B570-1	.40
C503, 512	Electrolytic, 1uF, 70V	CE22326-2	.65
516, 517			
C504	Silvered Mica, 200pF, 5%, 50V	CA22313-15	.40
C505	Ceramic, 180pF, 10%, 500V	C50B651-14	.30
C506, 510	Polystyrene, 4700pF, 5%, 33V	C51B256-23	.50
C507	Electrolytic, 100uF, 16V	CE22326-12	.70
C509, 515	Electrolytic, 25uF, 15V	CE22326-6	.65
C513, 514	Polyester, 0.015uF, 5%, 160V	C50B647-17	.50
*C513, 514	Polyester, 0.01uF, 5%, 160V	C50B647-18	.50
C518, 519	Ceramic, 330pF, 10%, 500V	C50B651-1	.30
C520, 523	Ceramic, 1000pF, 10%, 500V	C50B651-3	.35
524			
C521, 522	Silvered Mica, 330pF, 1%, 50V	CA22313-31	.50
C525	Polystyrene, 3900pF, 5%, 33V	C51B256-22	.50
C526	Ceramic, 500pF, 5%, 500V, N1500	C50B652-50	.45
CR501, 502	Diode, Silicon	TR13006-2	.35
IC501	IC MPX Decoder	TR09011	7.70
PC501	Printed Circuit	EP50187-82	2.70
Q501, 502	Transistor BC147B	TRBC147B	1.05
R501	8.2K	R33DC822J	.30
R502	220	R33DC221J	.30
R504, 505	15K	R33DC153J	.30
R506	68K	R33DC683J	.30
R507, 515	4.7K	R33DC472J	.30
R508	Trimmer, 200, ±20%	RV50150-23-1	.65
R509	270	R33DC271J	.30
R510	120	R33DC121J	.30
R511, 512	5.6K	R33DC562J	.30
R513, 514	22K	R33DC223J	.30
R516, 517	10K	R33DC103J	.30
Z501, 502	Coil, 19kHz	ZZ50210-170	1.10
Z503, 504	Coil, 38kHz Trap	ZZ50210-169	.90
Z505	Coil, 38kHz	ZZ50210-166	1.10

\*Used in PB2238-4 only

## PB2254-1 AUDIO INPUT

Symbol	Description	Part No.	Sug. Ret.
C11, 12	Ceramic, 470pF, 10%, 500V	C50B651-13	.30
C13, 14, 15	Ceramic, 330pF, 10%, 500V	C50B651-1	.35
16, 17, 18			
19, 20			
L11, 12	RF Choke, 500uH	LC21820-1	.60
R11, 12	1.5K	R33DC152J	.30
R13, 14, 15	100K	R33DC104J	.30
16, 17, 18			
19, 20			
R21, 22, 23	5.6K	R33DC562J	.30
24, 25, 26			
27, 28			
R29, 30	1M	R33DC105J	.30
R33, 34, 35	27K	R33DC273J	.30
36			
R37, 38	4.7K, 1/8W	R12DC472J	.30
S10	Selector Switch, Input	SR2254-113	13.00
S11	Selector Switch, Tape Monitor	SR2254-114	8.15

NOTE: Unless otherwise specified, all resistors are Deposited Carbon Film in ohms, 5%, 1/3 Watt.  
K = Kilohms, M = Megohms

## PB2255-1 PREAMPLIFIER

Symbol	Description	Part No.	Sug. Ret.
C101, 102 103, 104	Tantalum, 0.68uF, 35V	CL22306-2	.75
C105	Electrolytic, 220uF, 6.3V	CF22324-4	.70
C106, 107 108, 109	Electrolytic, 10uF, 35V	CE22326-4	.65
C110, 111 112, 113	Ceramic, 5pF, 5%, 500V NPO	C50B652-21	.35
C114, 115 116, 117	Ceramic, 120pF, 10%, 500V	C50B651-16	.35
C118, 119	Ceramic, 5000pF, 20%, 500V	C50B567-2	.30
C120, 121	Ceramic, 1500pF, 10%, 1000V	C50B576-4	.45
C122, 123 124, 125	Tantalum, 2.7uF, 35V	CL22305-4	.90
R101, 102 109, 110 111, 112	82K	R33DC823J	.30
R103, 104 105, 106 107, 108	120K	R33DC124J	.30
R113, 127 128	10K	R33DC103J	.30
R114, 115 116, 117	820	R33DC821J	.30
R118 R119, 120	100K 1M	R33DC104J R33DC105J	.30 .30
R121, 122 R123, 124 125, 126	560K 18K	R33DC564J R33DC183J	.30 .30
R129, 130 R131, 132	4.7K 56K	R33DC472J R33DC563J	.30 .30
Q101, 102 103, 104	Transistor, PNP	TR02020-2	.55
Q105, 106 107, 108	Transistor, NPN	TR01037	1.00

## PB2262-1,-2 CONTROL AMPLIFIER

Symbol	Description	Part No.	Sug. Ret.
C201, 202 203, 204	Tantalum, 0.33uF, 35V	CL22305-9	.80
C205, 206 207, 208 213, 214	Tantalum, 1uF, 35V	CL22305-3	.80
C209, 210 C211, 212 217, 218	Ceramic, 820pF, 10%, 500V Tantalum, 4uF, 35V	C50B651-6 CL22305-14	.35 .90
C215, 216	Ceramic, 47pF, 10%, 500V, N330	C50B652-19	.30
C219, 220 C221, 222 223, 224	Tantalum, 2.7uF, 35V Ceramic, 680pF, 10%, 500V	CL22305-4 C50B651-2	.90 .30
C225, 226 227, 228	Mylar, 0.22uF, 10%, 250V	C50B575-2	.60
PC201, 202 PC203, 204	Printed Circuit, High Filter Printed Circuit, Tone Control	PC50B187-53 PC50B187-57	1.10 1.60
Q201, 202 203, 204	Transistor	TR01037 or TR01015	1.00 .70
Q205, 206 207, 208	Transistor, BC147B	TRBC147B	1.05
R201, 202 203, 204	47K	R33DC473J	.30
R205, 206 R207, 208	270K 22K	R33DC274J R33DC223J	.30 .30
R209, 210 229, 230	180K	R33DC184J	.30
R211, 212 231, 232	39K	R33DC393J	.30
R213, 214 215, 216 235, 236	5.6K	R33DC562J	.30

## PB2262-1, -2 CONTROL AMPLIFIER

Symbol	Description	Part No.	Sug. Ret.
R217, 218 R219, 220 237, 238	100 820	R33DC101J R33DC821J	.30 .30
R221, 222 R223A,B; 224A,B	330K Potentiometer, Bass, Treble, 200K	R33DC334J RP50160-272	.30 3.15
R225, 226 R227, 228	27K 1.2M	R33DC273J R33DC125J	.30 .30
R233, 234 *R233, 234 245, 246 247, 248	4.7K 4.7K	R33DC472J R33DC472J	.30 .30
R239, 240 241, 242 245, 246 247, 248	10K	R33DC103J	.30
*R239, 240 241, 242	15K	R33DC153J	.30
R249A,B 252, 253	Potentiometer, Dual-Balance 250K	RP 50160-271	2.80
R250, 251 252, 253	2.7K	R33DC272J	.30
S201 *S201	Mode Selector Switch Mode Selector Switch	SR2262-113 SR2262-114	8.60 11.40
S202A,B, C,D	Loudness Pushbutton	SP2262-112	4.50

\*Used in PB2262 -2 only

## PB2288-1 STEREO-4 DECODER

Symbol	Description	Part No.	Sug. Ret.
C271, 272 20%, 25V	Sintered Alum., 0.33uF,	CS22340-3	.50
C274, 275 C276, 277 25V	Sintered Alum., 4.7uF, 20%,	CS22340-6	.70
R271, 272 R273, 274	Composition, 150K, 5%, 1/4W Composition, 180K, 5%, 1/4W	RC07BF154J RC07BF184J	.40 .35
R275 IC271	560 Integrated Circuit	R33DC561J TR09016	.30 15.25

## PB2289-1 2+2 DECODER

Symbol	Description	Part No.	Sug. Ret.
C271, 272 C273	Mylar, 0.01uF, 5%, 100V Ceramic, 5000pF, 20%, 500V	C50B574-1 C50B567-2	.45 .30
C275, 276 C277, 278 279, 280 25V	Ceramic, 180pF, 10%, 500V Sintered Alum., 0.33uF, 20%,	C50B651-14 CS22340-3	.50 .50
C281, 282 Q271, 272 273, 274	Sintered Alum., 4.7uF, 20%, 25V Transistor BC239C	VCS22340-6 TR01014	.70 .50
R271, 272 R273, 274 R275, 276 R277, 278 R279, 280 R281 R283, 284 1/4W	Composition, 180K, 5%, 1/4W Composition, 12K, 5%, 1/8W Composition, 8.2K, 5%, 1/4W Composition, 5.6K, 5%, 1/8W Composition, 820, 5%, 1/4W Composition, 3.3K, 5%, 1/4W Composition, 100K, 5%, 1/4W	RC07BF184J R12DC123J RC07BF822J R12DC562J RC07BF821J RC07BF332J RC07BF104J	.30 .30 .30 .30 .30 .30 .30
R285, 286 1/4W	Composition, 3.9M, 5%, 1/4W	RC07BF395J	.30
R287, 288 1/4W	Composition, 4.7K, 5%, 1/4W	RC07BF472J	.30
R289, 290	Composition, 680, 5%, 1/4W	RC07BF681J	.30

NOTE: Unless otherwise specified, all resistors are Deposited Carbon Film in ohms, 5%, 1/3 Watt.  
K = Kilohms, M = Megohms

**PB2209-1 COMBINED CONNECTOR  
PB2258/VOLUME PB 2271**

Symbol	Description	Part No.	Sug. Ret.
R291A,B 292A,B	Volume Control, Dual-Slide, 50K	RP50160-270	5.85

**PM2141-1 POWER AMPLIFIER MODULE  
PB2230-2 PREDRIVER  
PB2207-1 CONNECTOR**

Symbol	Description	Part No.	Sug. Ret.
C801, 802	Tantalum, 1uF, 20%, 35V	CL22305-3	.80
C803, 809	Electrolytic, 47uF, 63V	CE22326-21	.75
C805, 806	Ceramic, 47pF, 10%, 500V, N330	C50B652-19	.30
C807, 808	Ceramic, 120pF, 10%, 500V	C50B651-16	.35
C811, 812	Electrolytic, 100uF, 35V	CE22326-16	.75
C813, 814	Electrolytic, 25uF, 15V	CE22317-6	.70
C815, 816	Ceramic, 82pF, 5%, 500V, N1500	C50B652-2	.35
C817, 818 827	Ceramic, 0.1uF, 35%, 100V	C51163-1	.80
C819, 820	Electrolytic, 1200uF, 95V	CE22323-16	4.00
C821, 822	Ceramic, 0.02uF, +80-20%, 100V	C50B570-2	.45
C823, 824 825, 826	Ceramic, 680pF, 10%, 500V	C50B651-2	.30
CR801, 802 803, 804	Stabistor, Silicon	SIT51B096-9	.40
CR805, 806	Stabistor, Silicon	SIT51B096-2	.75
Q801, 802	Transistor (SPS2297)	TR02051-5	1.00
Q803, 804	Transistor (SJ5589)	TR01056-5	2.20
Q805, 806	Transistor (SPS2292) or (SS1821)	TR01053-5 TR01062-7	2.05 2.55
Q807, 808	Transistor (SPS2293)	TR01063-5	.85
Q809, 810	Transistor (SPS2294)	TR02063-5	.95
Q811, 812	Transistor (SJ2086)	TR01064-5	8.05
Q813, 814	Transistor (SJ2087)	TR02064-5	10.05
R801, 802	180K	R33DC184J	.30
R803, 804	3.9K	R33DC392J	.30
R805, 806	68K	R33DC683J	.30
R807, 808	8.2K	R33DC822J	.30
R809, 810	Composition, 100, 5%, 1/4W	RC07BF101J	.40
R811, 812	39K	R33DC393J	.30
R813, 814 815, 816 817, 818	1.2K	R33DC122J	.30
R819, 820	270	R33DC271J	.30
R821, 822	Variable, 1K	R50B150-19-2	.90
R823, 824	Composition, 1.2K, 5%, 1/4W	RC07BF122J	.40
R825, 835 836	560	R33DC561J	.30
R827, 828	15K	R33DC153J	.30
R829, 830	10K	R33DC103J	.30

**PM2141-1 POWER AMPLIFIER MODULE  
PB2230-2 PREDRIVER  
PB2207-1 CONNECTOR**

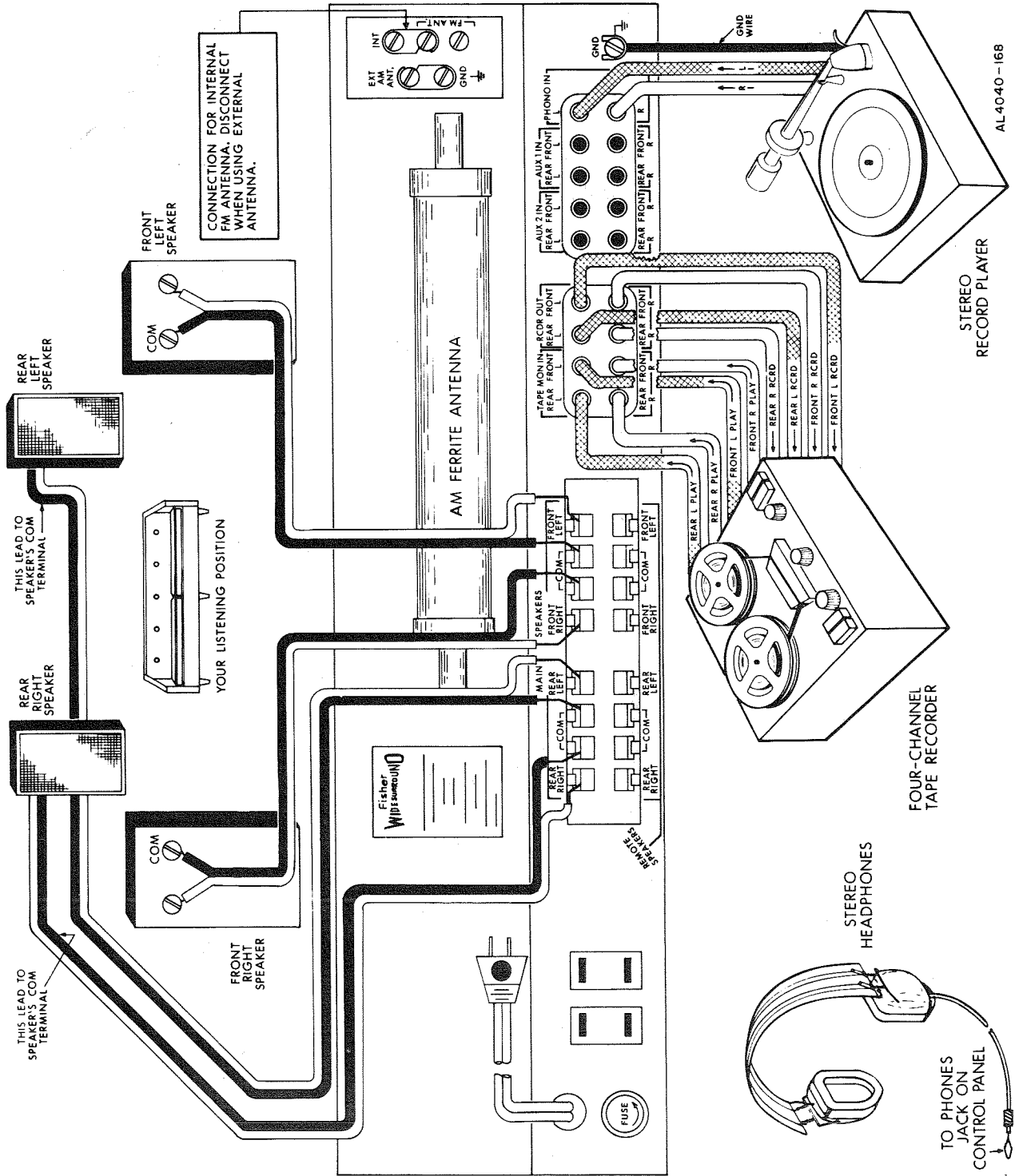
Symbol	Description	Part No.	Sug. Ret.
R831, 832 833, 834	150	R33DC151J	.30
R837, 838	470	R33DC471J	.30
R839, 840 841, 842	Wirewound, 0.47, 5%, 5W	RW5WR47J	.55
R843, 844	Composition, 10, 10%, 1/2W	RC20BF100K	.40
R845	91K	R33DC913J	.30
R847, 848	Composition, 12, 5%, 1/4W	RC07BF120J	.40

**PB2261-1, -2 POWER SUPPLY**

Symbol	Description	Part No.	Sug. Ret.
C951	Ceramic, 330pF, +80-20%, 1400V	C50404-3	.45
*C951	Ceramic, 330pF, 20%, 400VAC	C51164-1	.90
C952, 953 954	Ceramic, 0.02uF, 20%, 500V	C50B567-3	.35
C955	Electrolytic, 1000uF, +50-20%, 15V	CE22337-2	1.70
C956	Electrolytic, 200uF, 25V	CE22326-19	.75
C957	Electrolytic, 2500uF, 100V	CE22323-14	5.75
C958	Electrolytic, 100uF, 85V	CE22337-1	1.45
C959, 960	Electrolytic, 100uF, 50V	CE22326-20	.75
C961	Electrolytic, 100uF, 25V	CE22317-14	.70
C962	Electrolytic, 220uF, 63V	CE22324-32	1.25
C963	Ceramic, 0.01uF, +80-20% 100V	C50B570-1	.40
CR951, 952 953, 954	Diode, Silicon, 5A, 200V	SID51C169-2	.95
CR955	Diode, Silicon, 1.5A, 200V	SID51C052-19	.50
CR957A,B	Dual Zener Module	TR14004-1	1.75
F951	Fuse, Slo-Blo, 7A, 125V Pigtail	FL1313-9	.80
L951	RF Choke, 0.55uH	LC21818	.60
Q951, 952	Transistor	TR01045	4.00
R951	Composition, 820K, 10%, 1/2W	RC20BF824K	.30
R952	Wirewound, 0.51, 5%, 2W	RW200WR51J	.60
R953	1K	R33DC102J	.30
R954	Wirewound, 270, 5%, 7W	RW7W271J	.50
R955	Wirewound, 1K, 5%, 2W	RW200W102J	.55
R956	Wirewound, 820, 5%, 2W	RW200W821J	.55
R958	Wirewound, 390, 5%, 2W	RW200W391J	.55
R959	Wirewound, 180, 5%, 2W	RW200W181J	.55
R960	10K	R33DC103J	.30
R963, 964 965, 966	Wirewound, 270, 5%, 2W	RW200W271J	.45
R967, 968	Wirewound, 100, 5%, 2W	RW200W101J	.45
S901A,B	Speaker Selector/Power Switch	SR2252-116	8.25

\*Used in PB2261-2 only

NOTE: Unless otherwise specified, all resistors are Deposited Carbon Film in ohms, 5%, 1/3 Watt.  
K = Kilohms, M = Megohms



BECAUSE ITS PRODUCTS ARE SUBJECT TO CONTINUOUS IMPROVEMENT, FISHER RADIO RESERVES THE RIGHT TO MODIFY ANY DESIGN OR SPECIFICATION WITHOUT NOTICE AND WITHOUT INCURRING ANY OBLIGATION.

**FISHER RADIO • LONG ISLAND CITY • NEW YORK 11101**